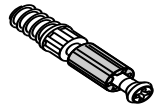
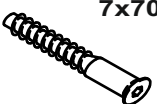



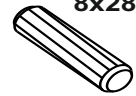



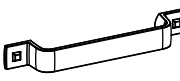
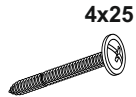
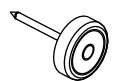

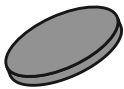

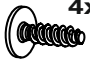


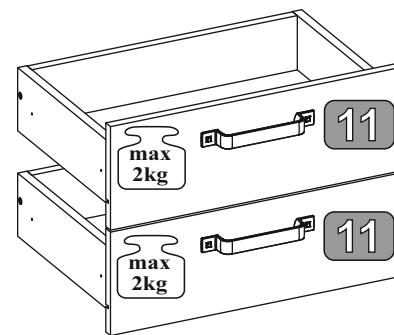
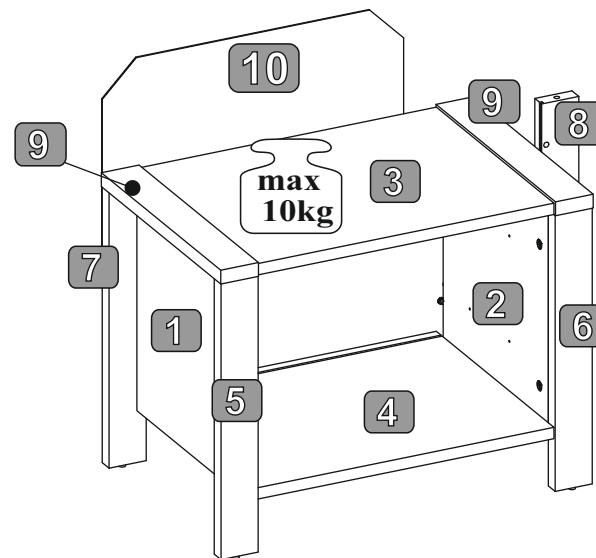
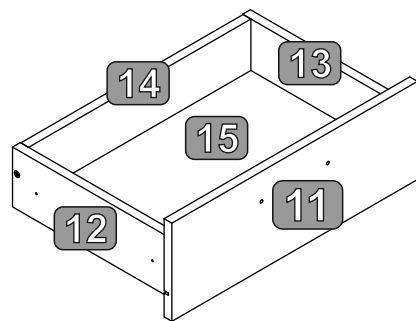
 15x12 24x T02	 24x T01	 7x70 4x W70	 Z4 1x K01	 5x40 4x W16	 Z3 1x K02	 8x28 36x D01	 L-300 4x P06	 3,5x13 24x W02	 12x R01
 2x S43	 4x25 4x W05	 4x S01	 4x C01	 2x C01	 2x P01	 4x13 4x W07	 2x F01	 2x F11	

NR	DIM	QTE	COLLI
1	355x340x15	1	1/1
2	355x340x15	1	1/1
3	480x380x18	1	1/1
4	480x380x18	1	1/1
5	437x60x22	1	1/1
6	437x60x22	1	1/1
7	437x60x22	1	1/1
8	437x60x22	1	1/1
9	386x61x22	2	1/1
10	355x487x2	1	1/1
11	474x164x15	2	1/1
12	300x100x15	2	1/1
13	300x100x15	2	1/1
14	429x100x15	2	1/1
15	440x297x2	2	1/1

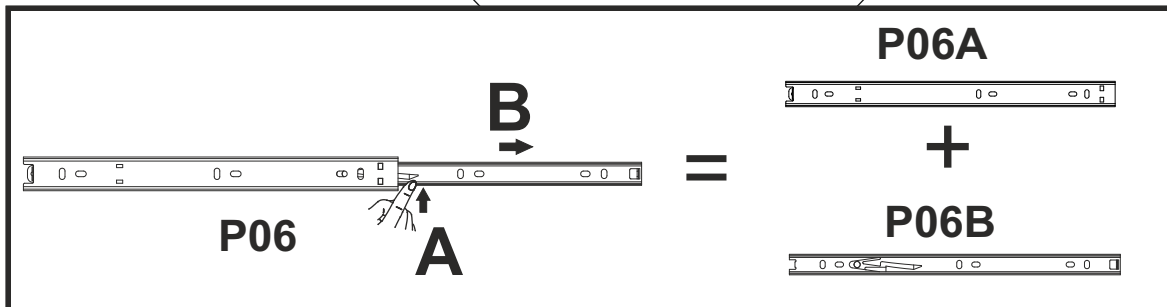
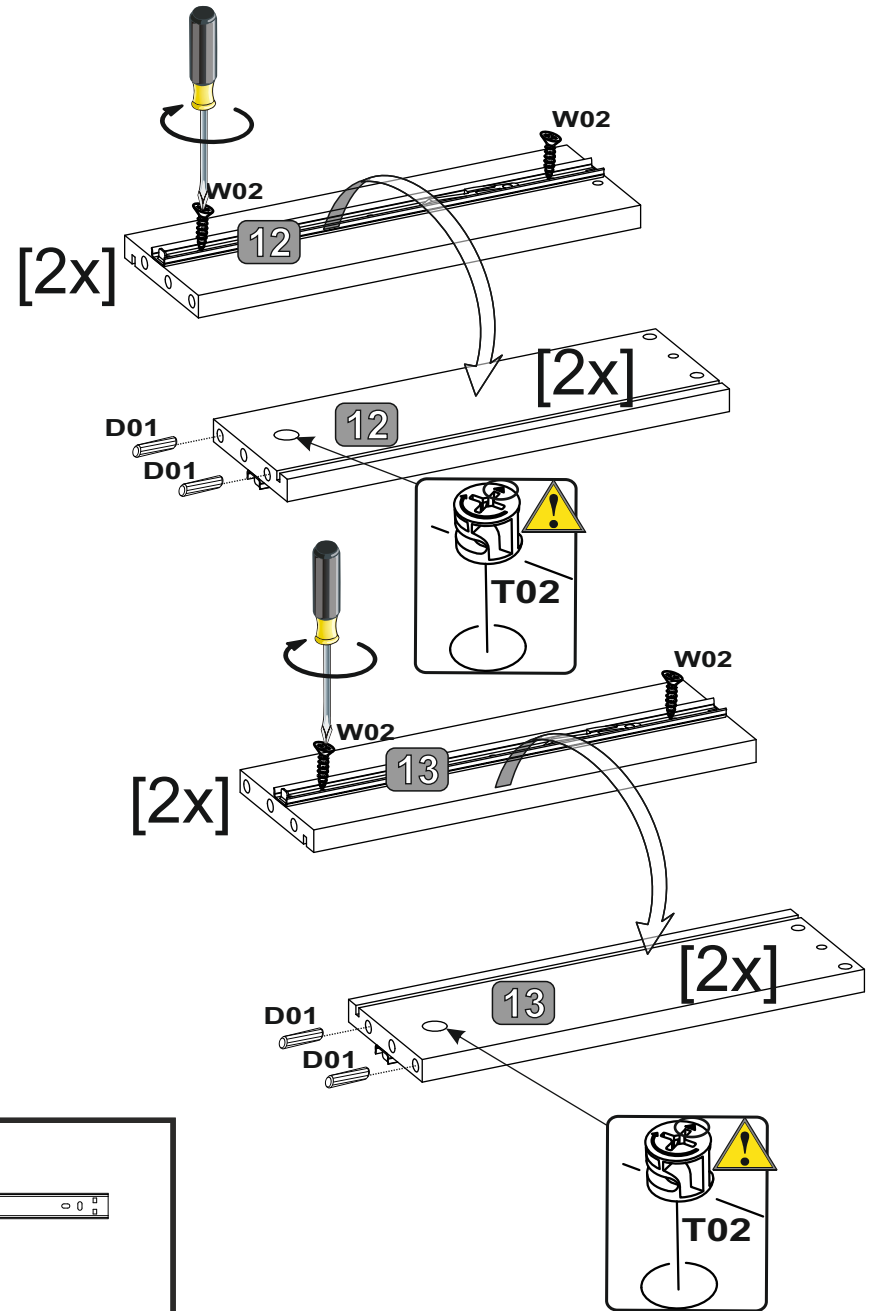
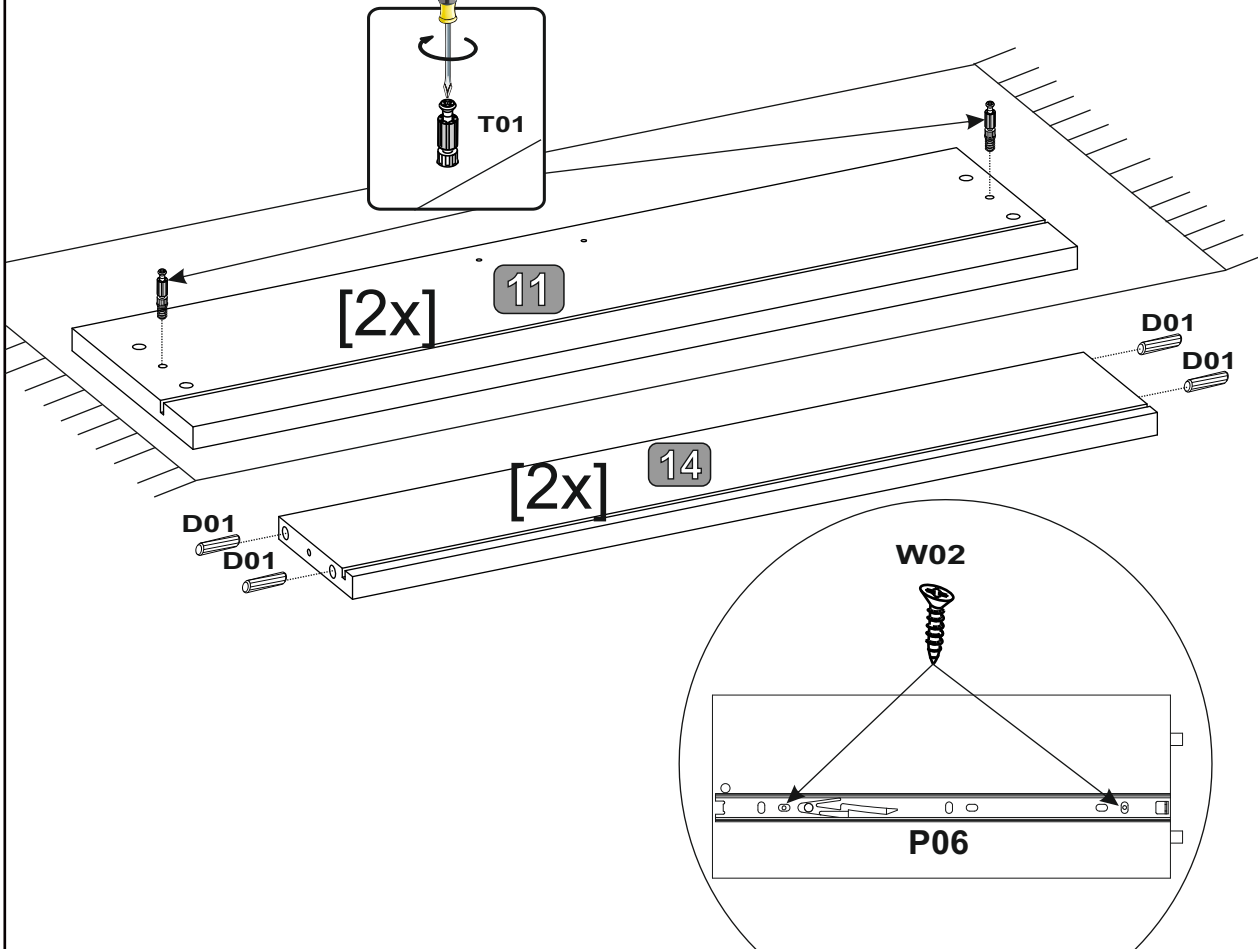


0 10 20 30 40 50 60 70 80 90 100 110 120 130 140 150 160 170 180 190 200


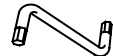
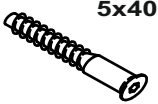


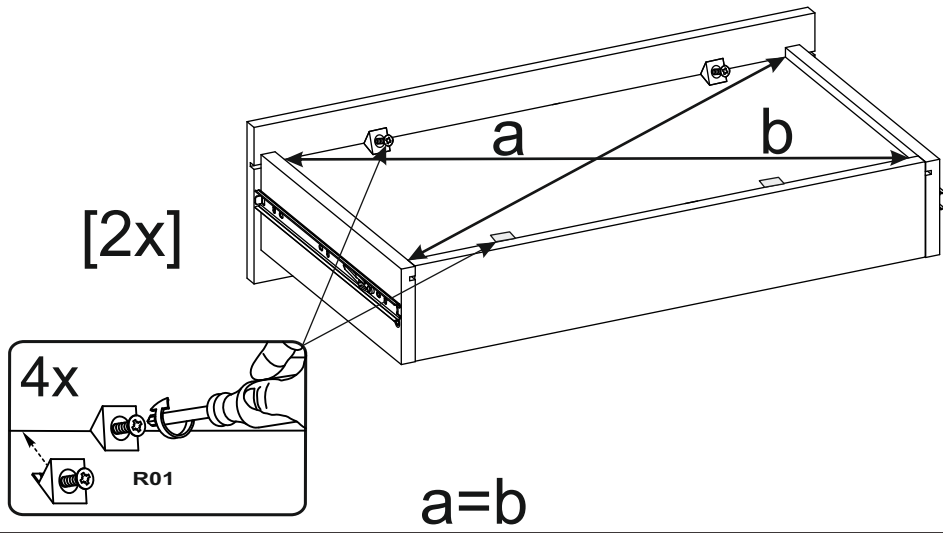
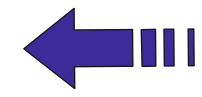
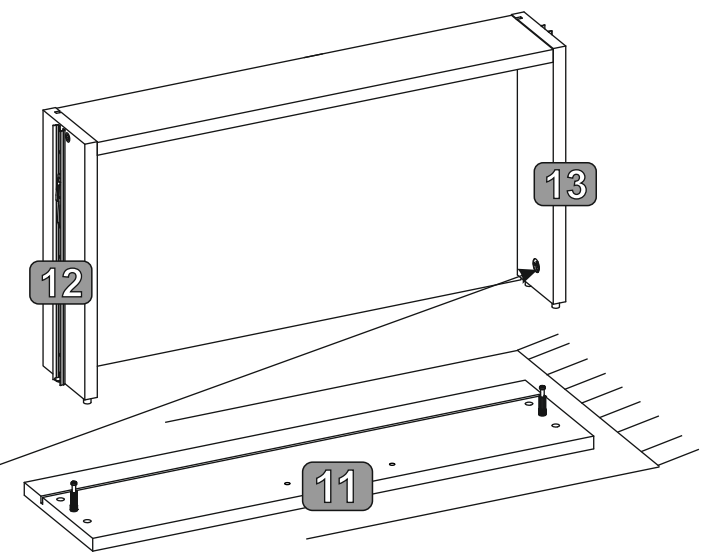
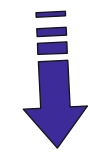
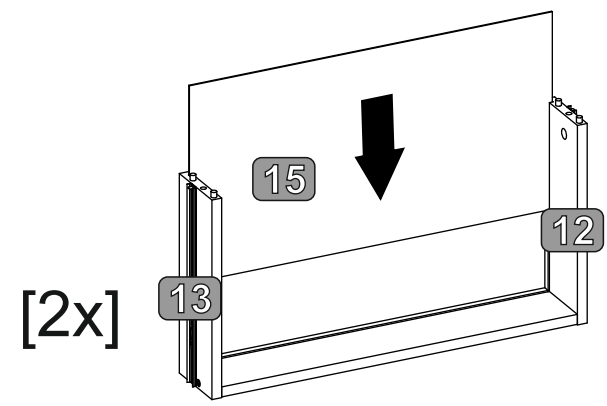
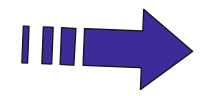
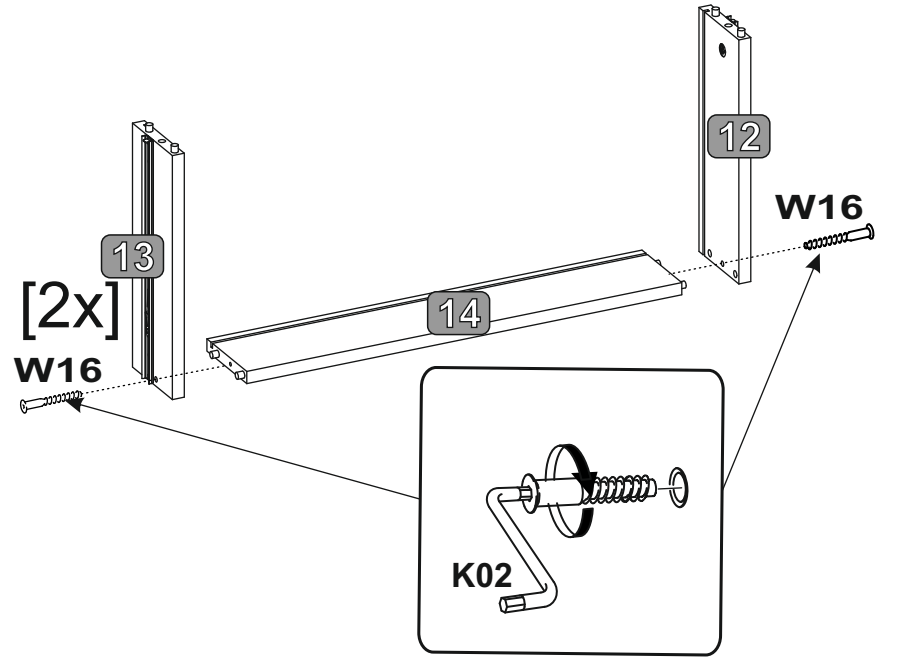
1

- 4x T01
- 4x P06
- 16x D01
- 8x W02
- 4x T02

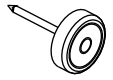
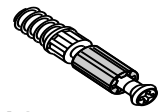
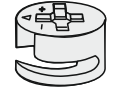
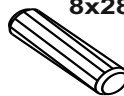


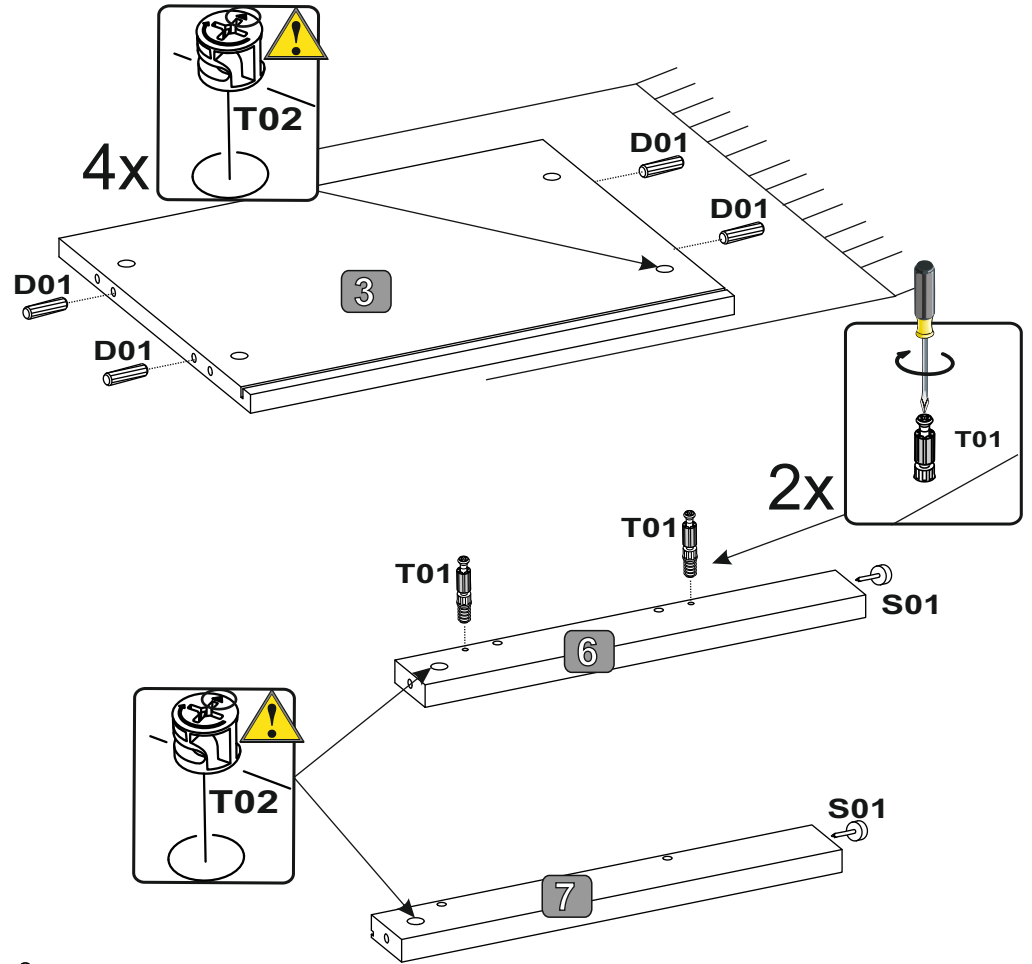
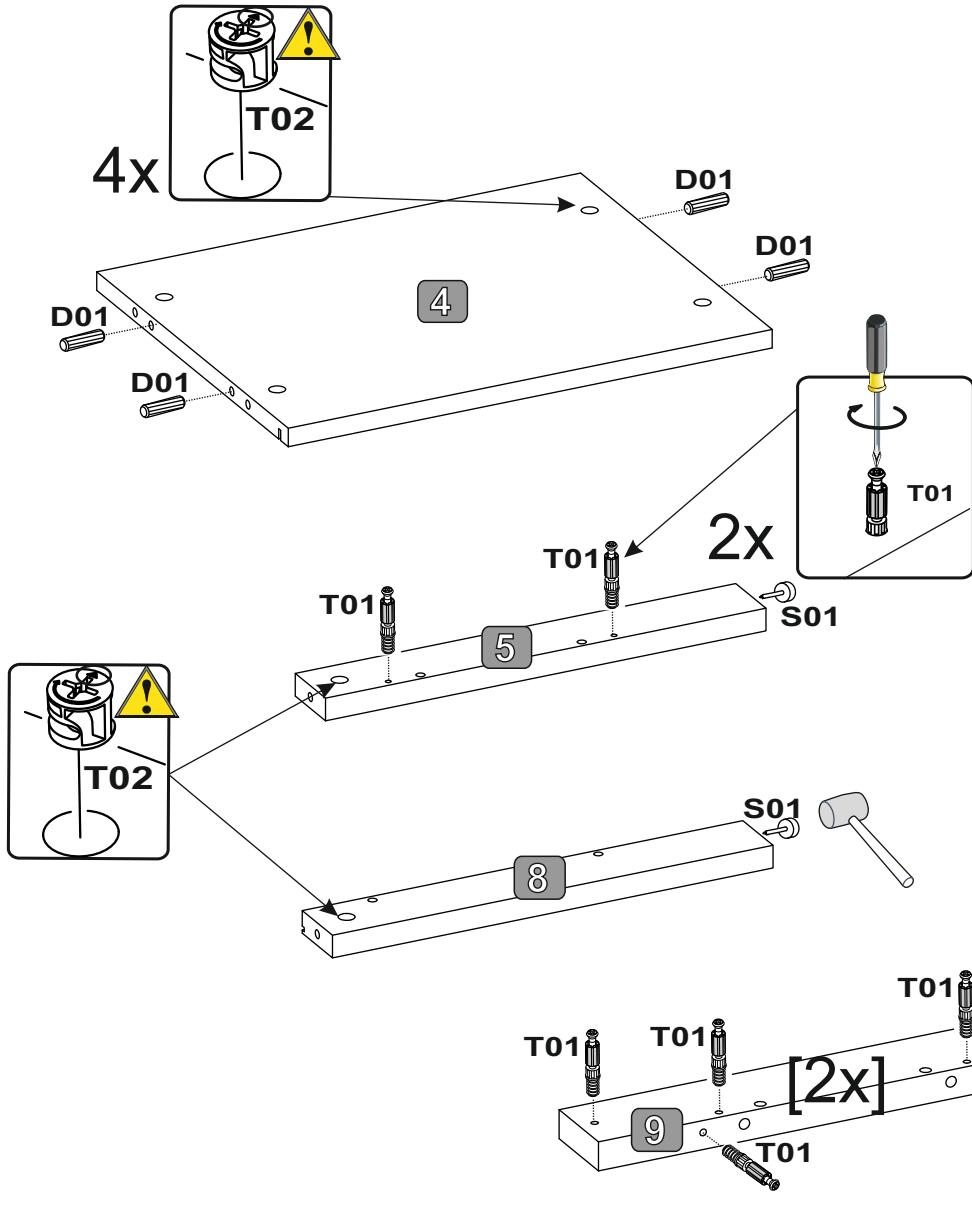
2

8x		R01	1x		K02	4x		5x40	W16
----	---	-----	----	---	-----	----	---	------	-----



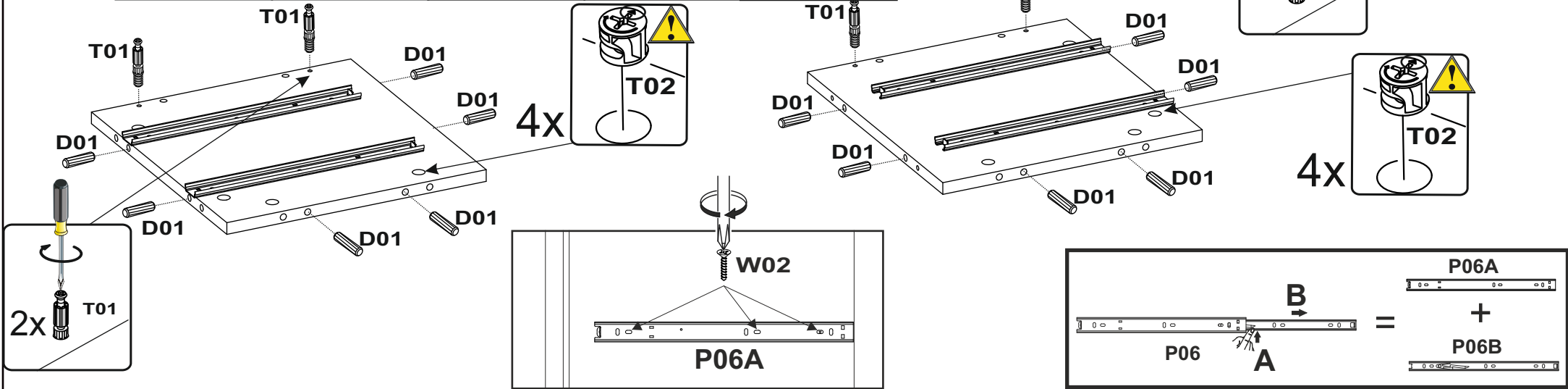
3

4x		16x		12x		8x	
	S01		T01		T02		D01

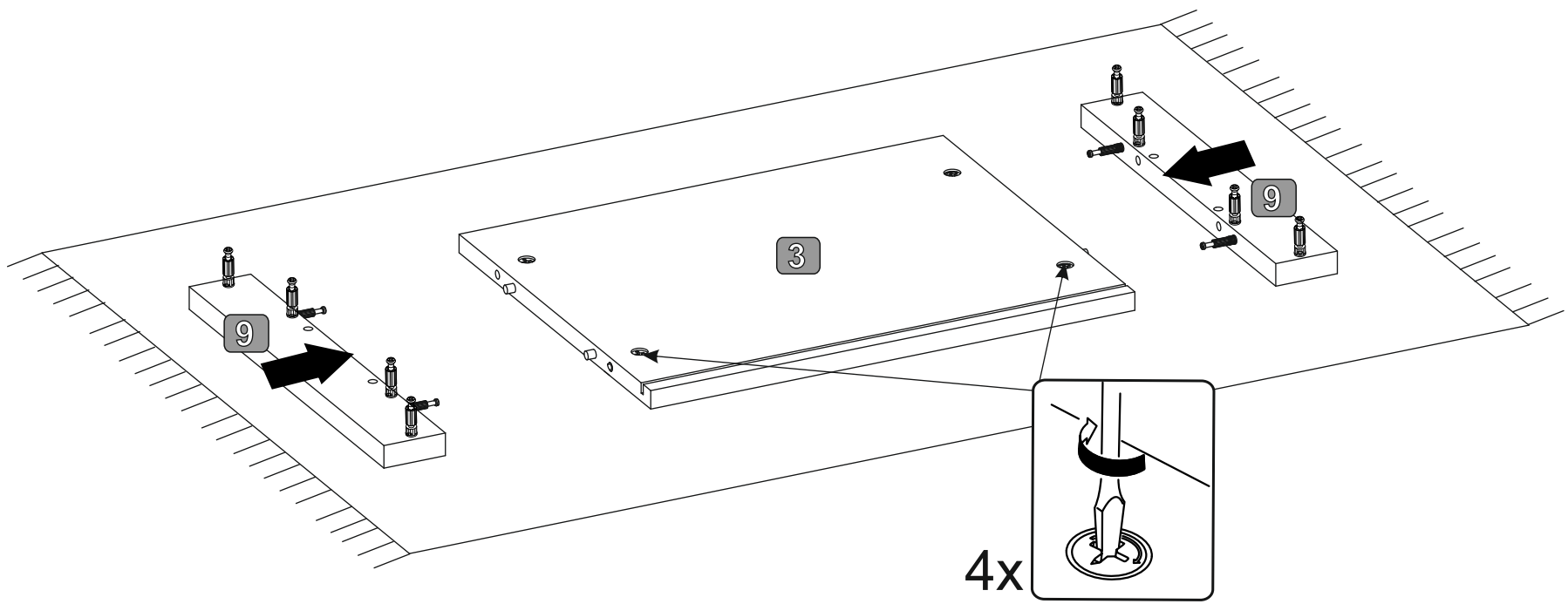


4

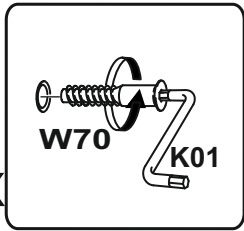
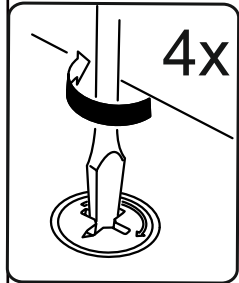
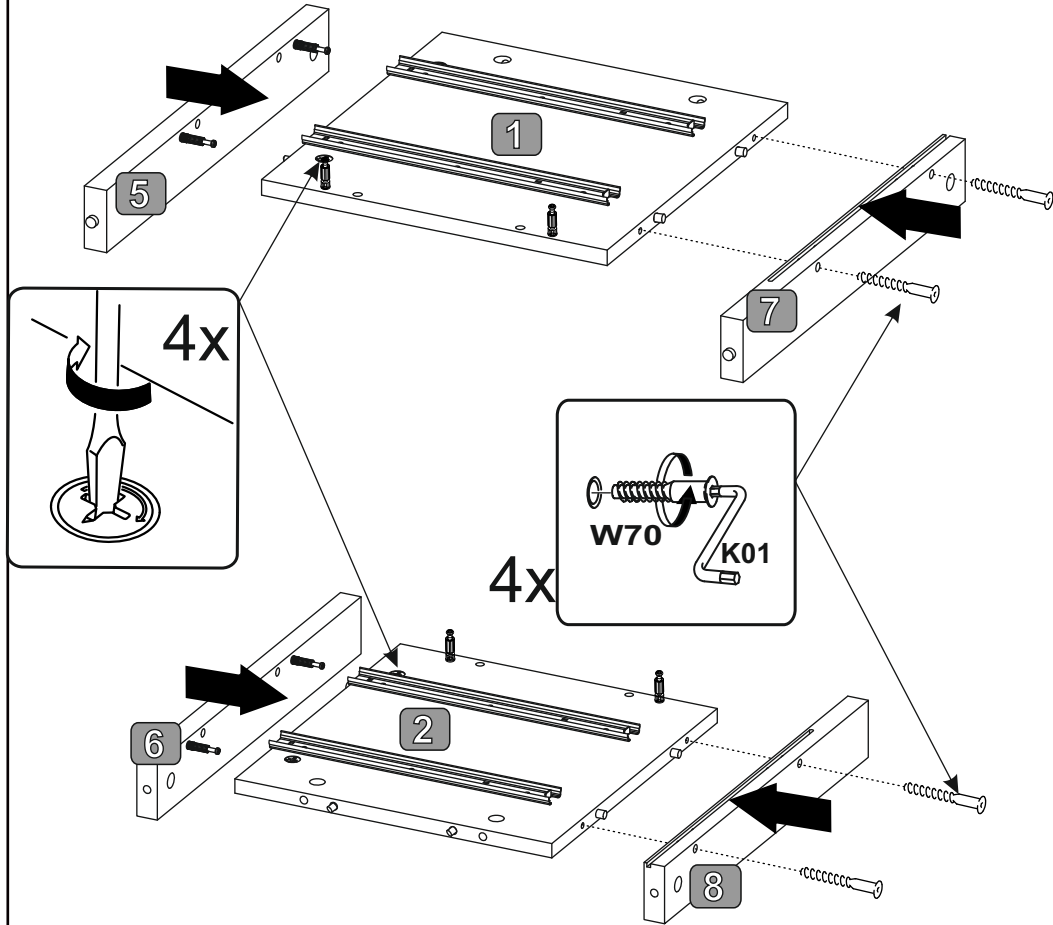
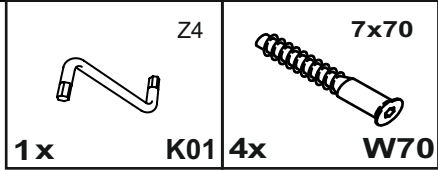
- 4x P06
- 8x T02 (15x12)
- 12x D01 (8x28)
- 12x W02 (3,5x13)
- 4x T01



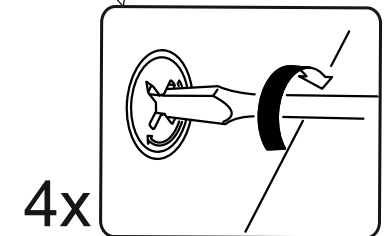
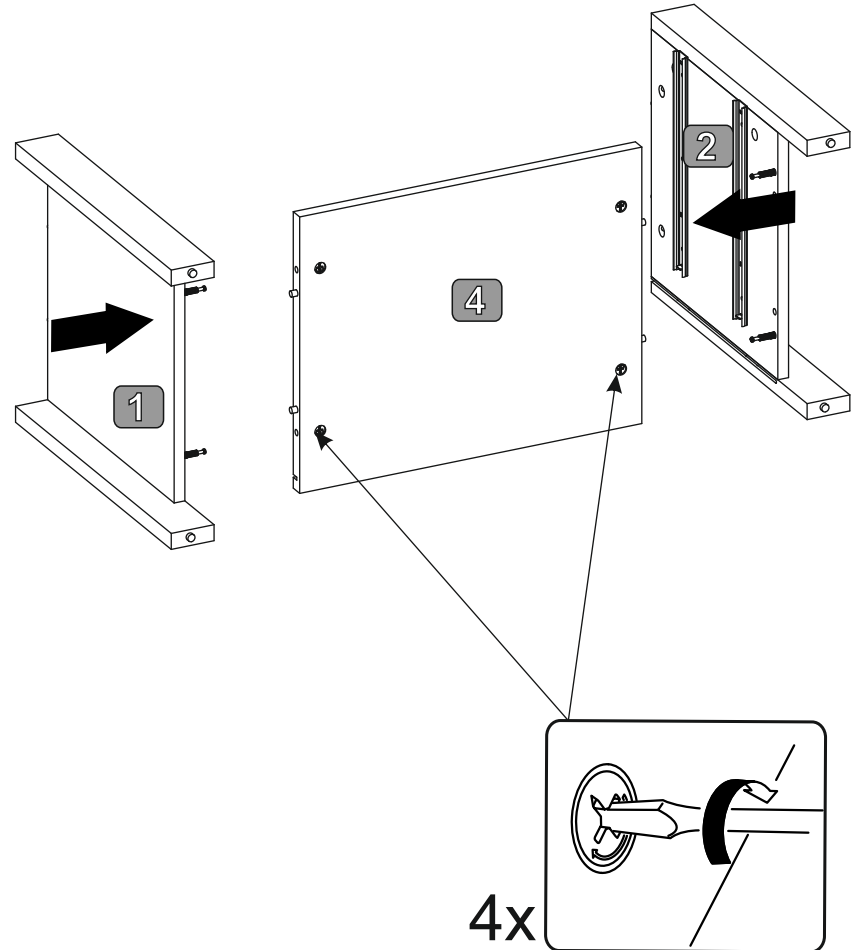
5



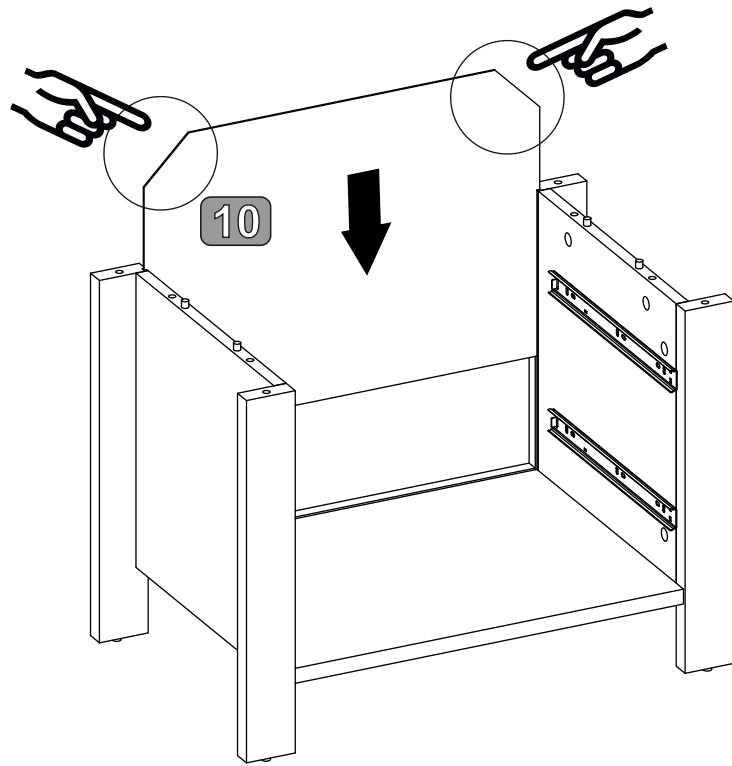
6



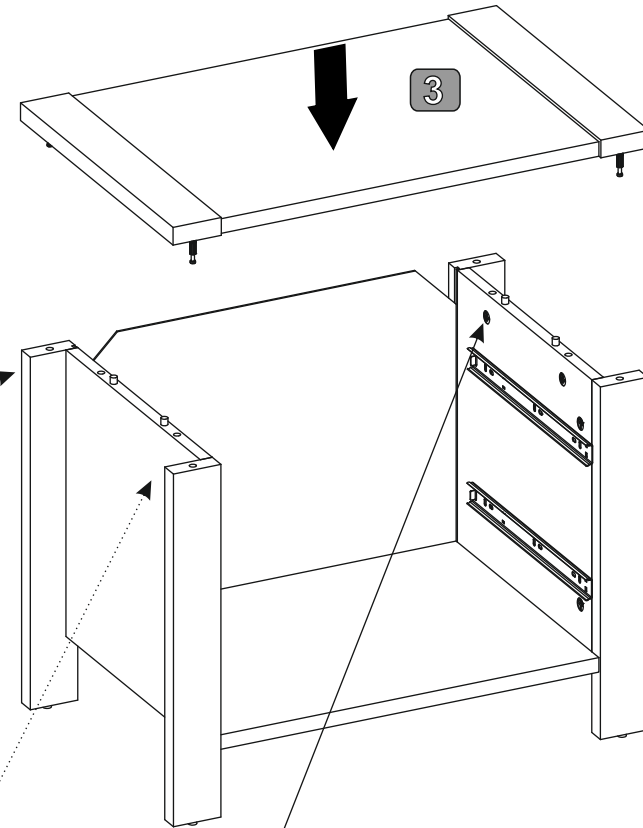
7



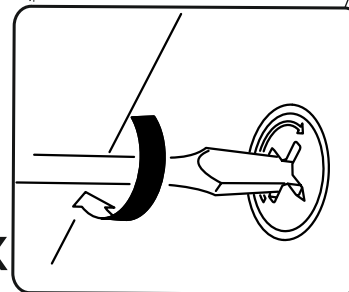
9



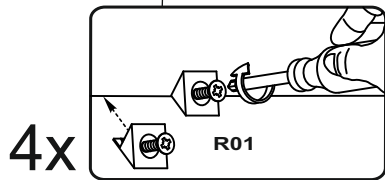
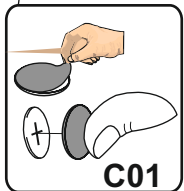
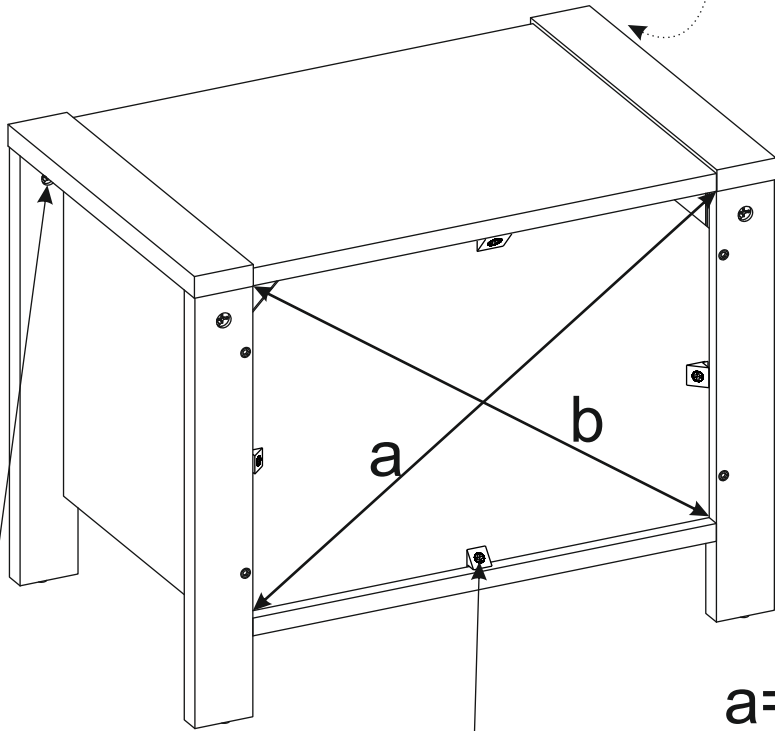
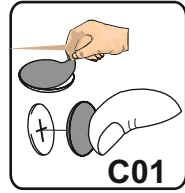
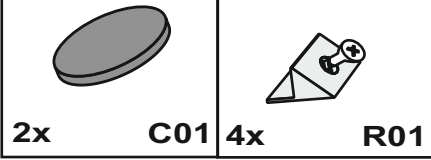
10



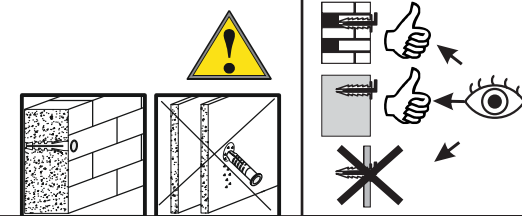
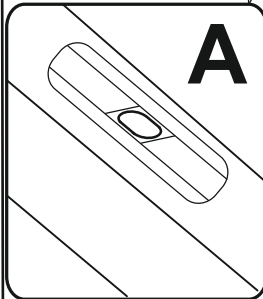
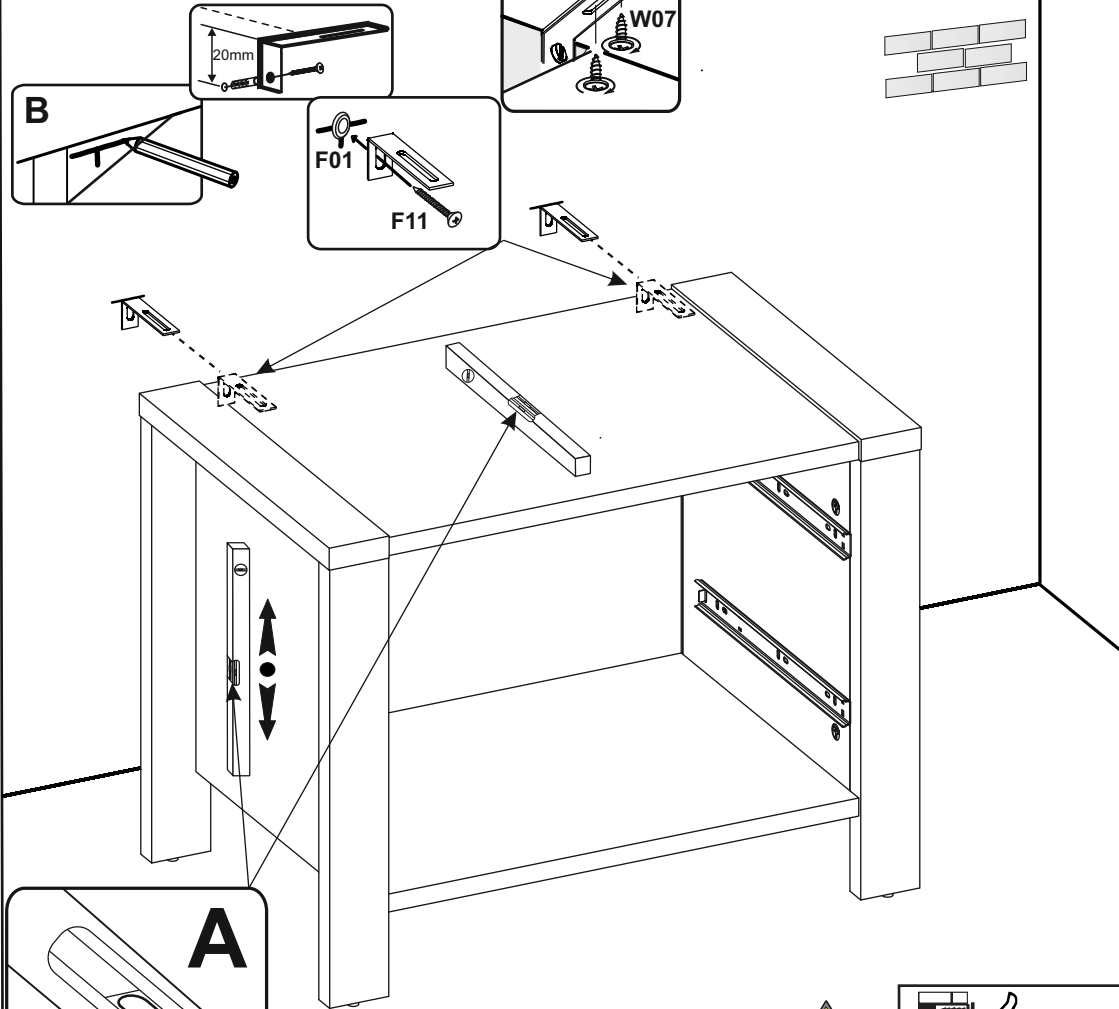
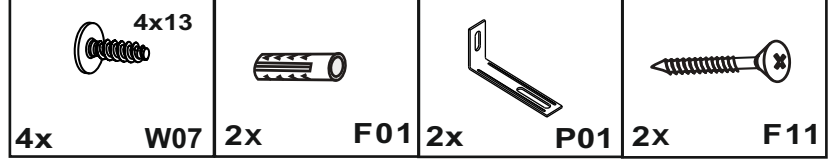
8x



11



12



13

4x	3,5x13 W02	2x	S43	4x	4x25 W05	4x	C01
----	---------------	----	-----	----	-------------	----	-----

