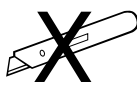


# TWO LAYERS SH-LINE

20210621

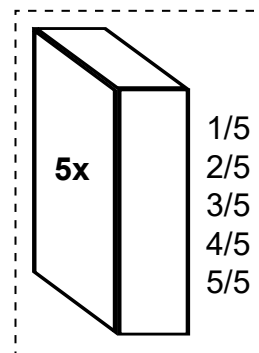


60 min

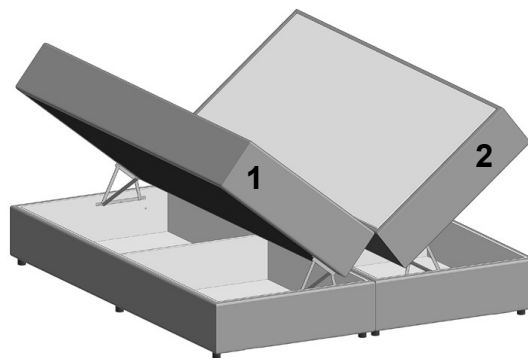
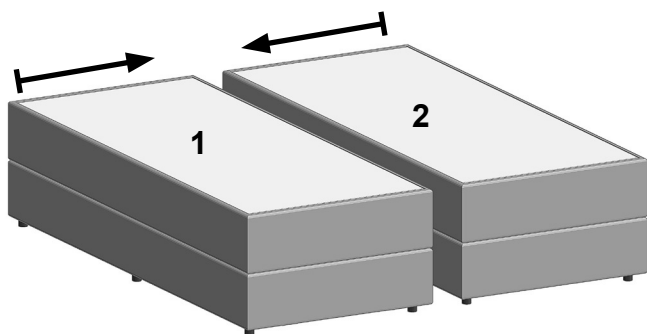


HDPE

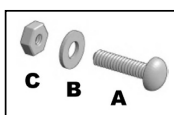
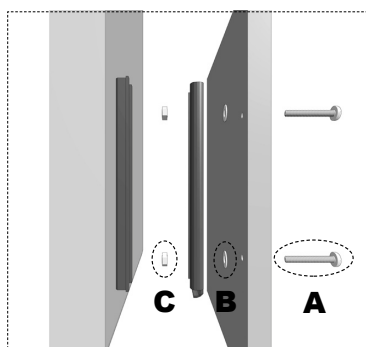
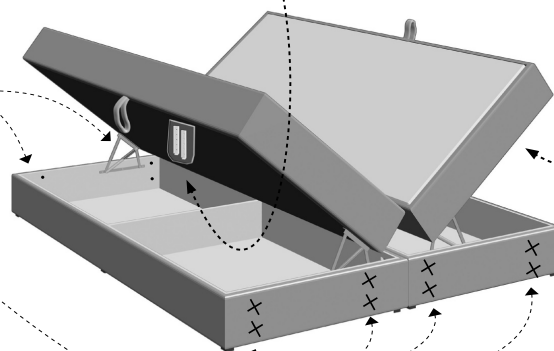
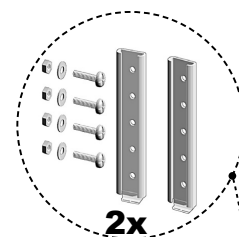
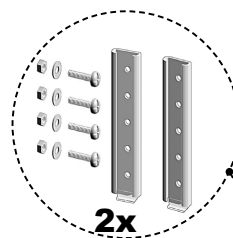
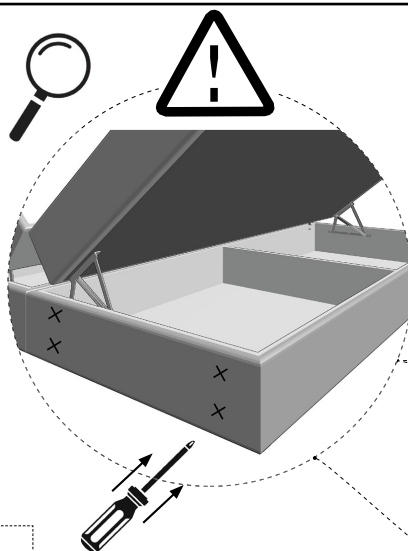
LDPE



1



2

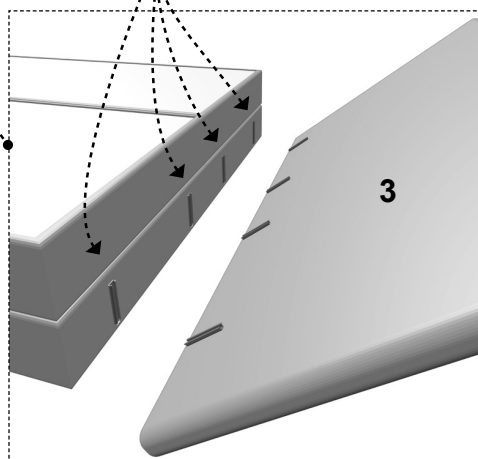
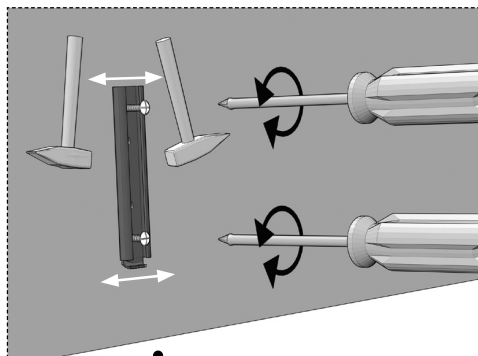
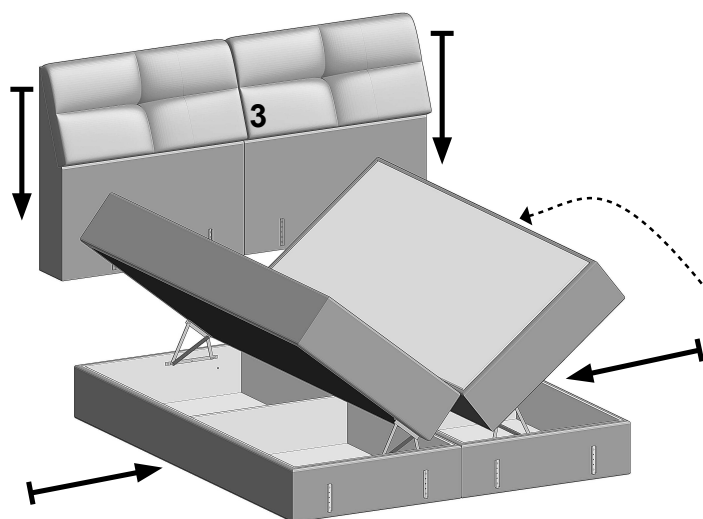


1/2

# TWO LAYERS SH-LINE

20210621

**3**



**4**

