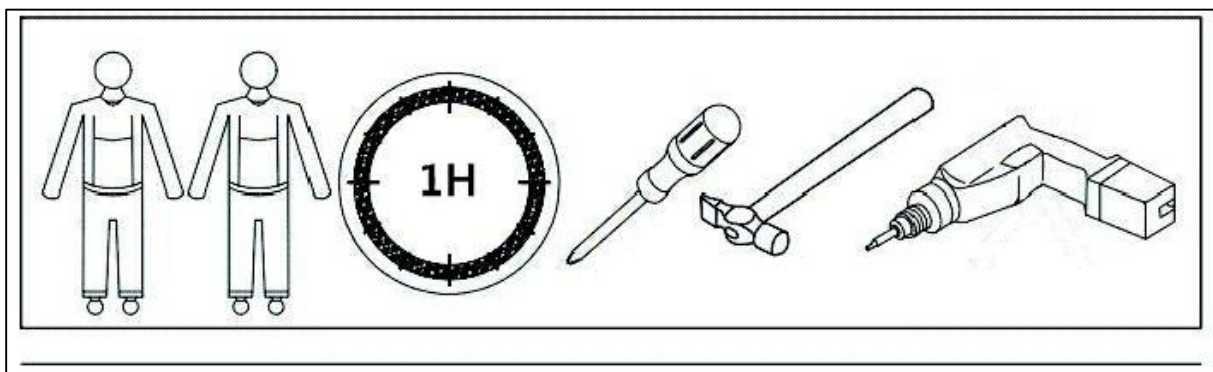
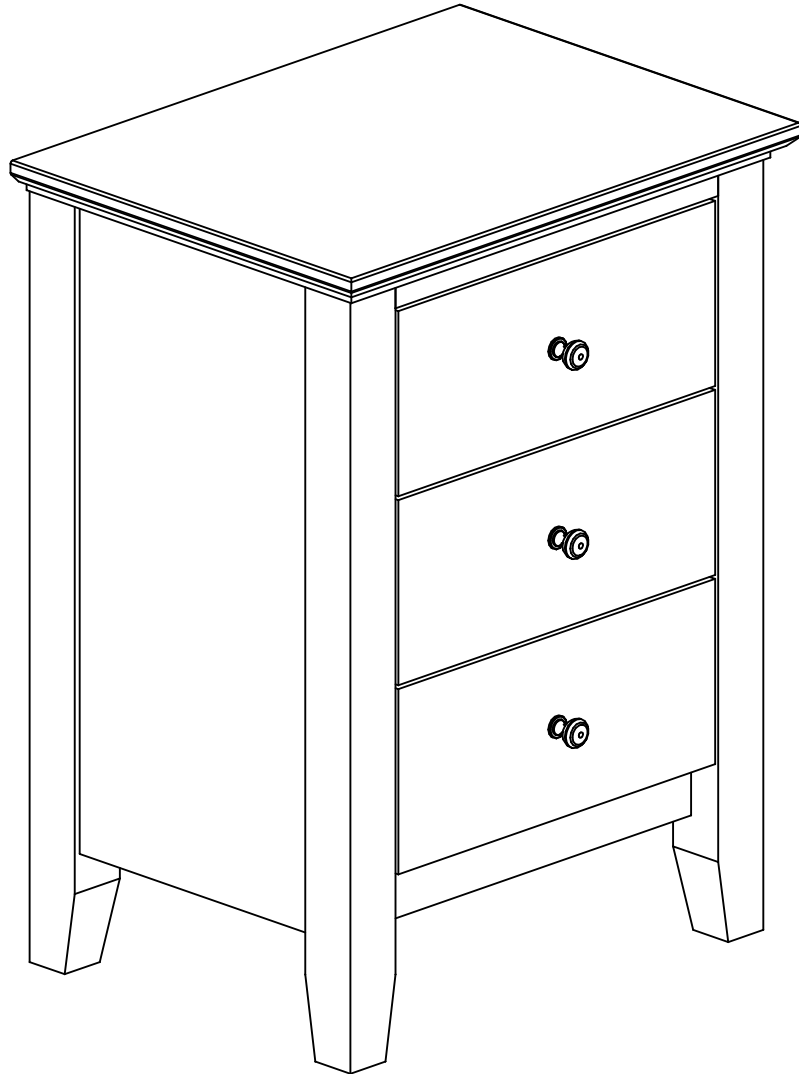
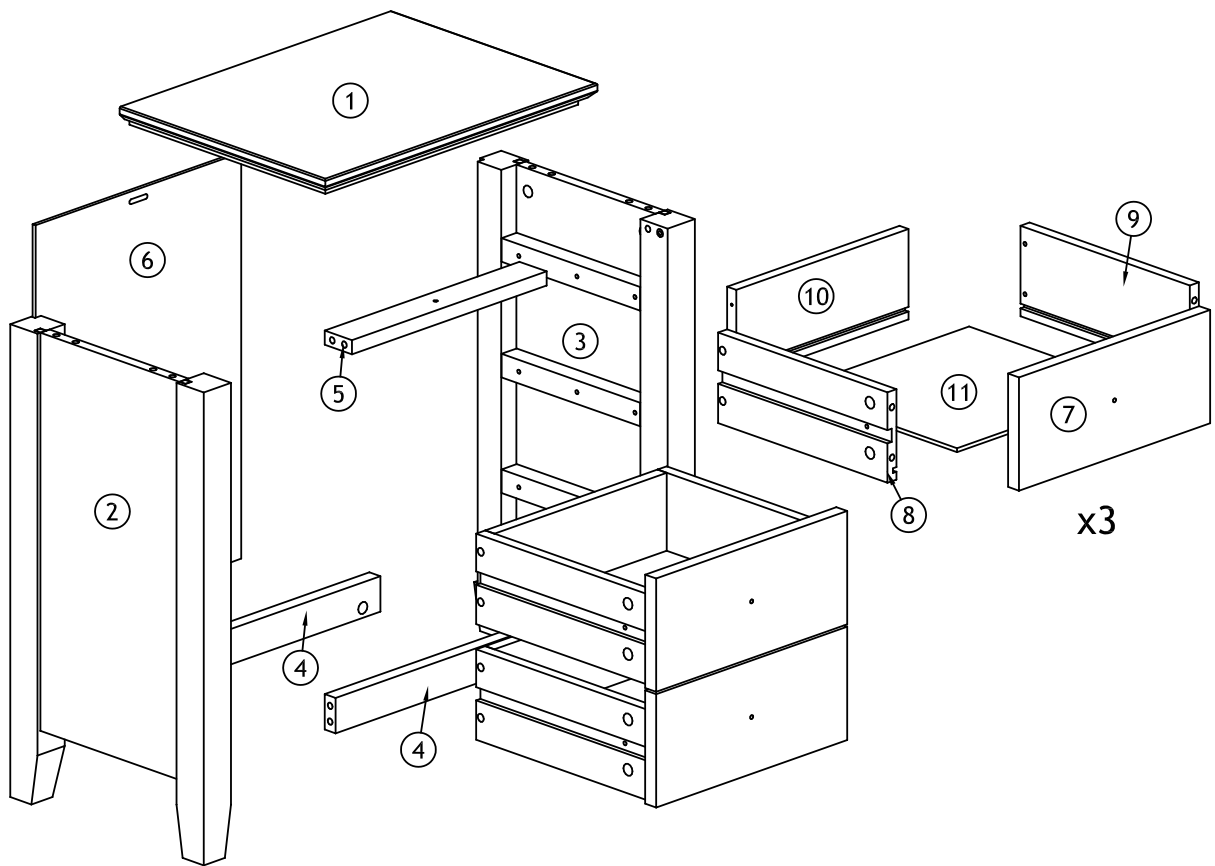
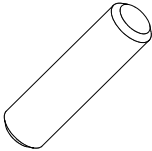
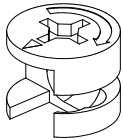
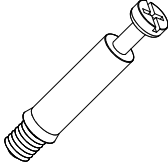
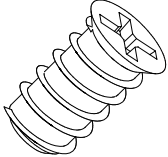

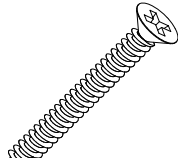
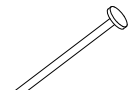
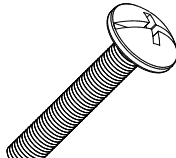

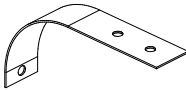

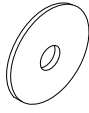
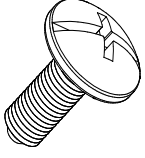


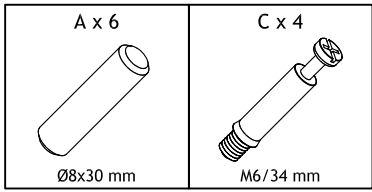
LINNEA BED SIDE TABLE



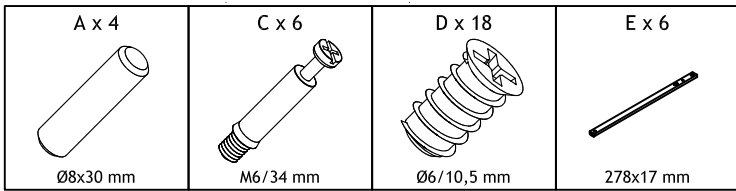
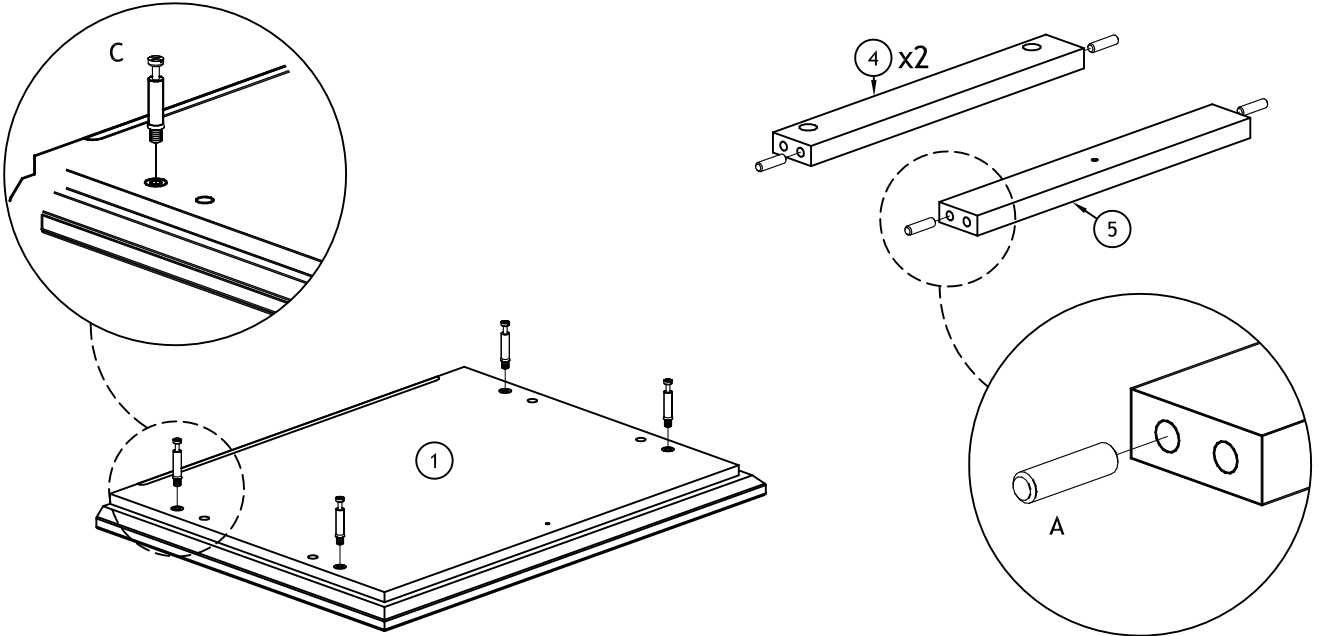
LINNEA BED SIDE TABLE



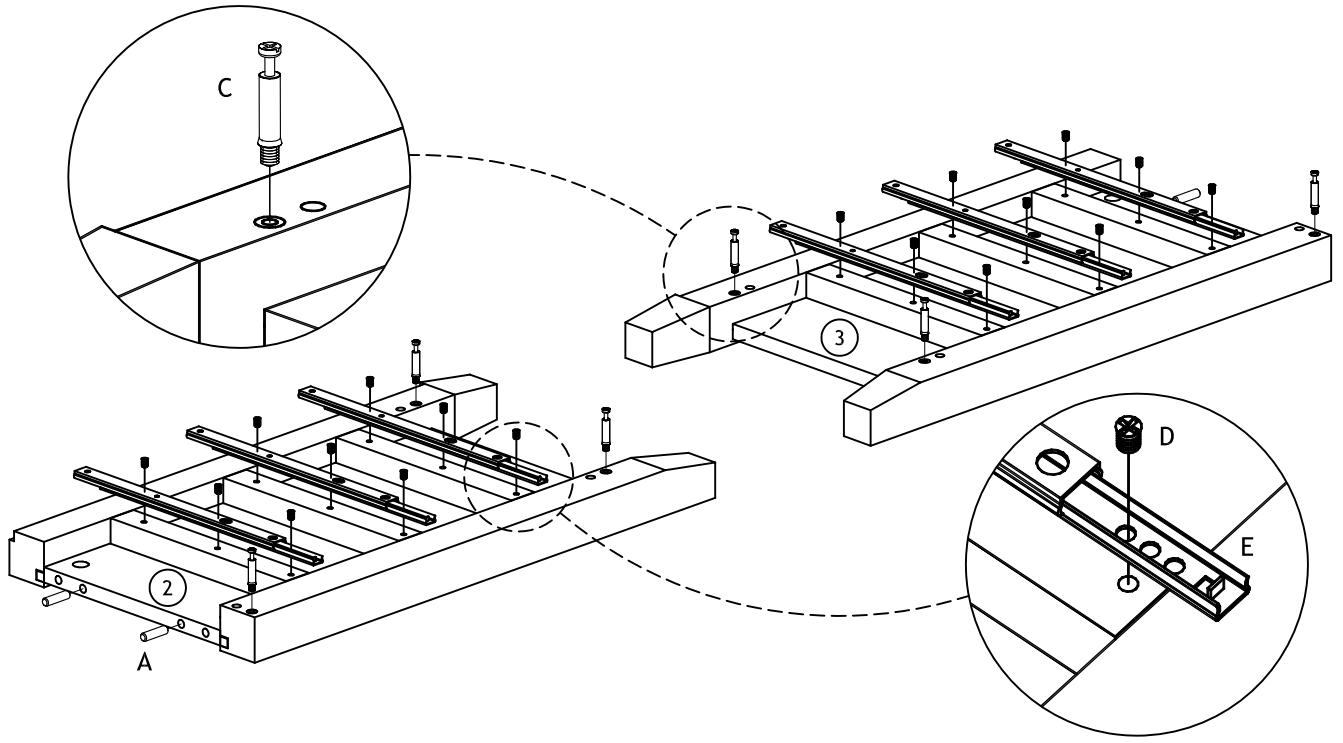
<p>A x 10</p>  <p>Ø8x30 mm</p>	<p>B x 22</p>  <p>Ø15x12 mm</p>	<p>C x 22</p>  <p>M6/34 mm</p>	<p>Dx 18</p>  <p>Ø6/10,5 mm</p>
<p>E x 6</p>  <p>278x17 mm</p>	<p>F x 13</p>  <p>Ø4x35 mm</p>	<p>G x 14</p>  <p>1,2x20 mm</p>	<p>H x 3</p>  <p>M4x23 mm</p>
<p>I x 3</p>  <p>Ø22x24mm</p>	<p>J x 1</p>  <p>150x26 mm</p>	<p>K x 2</p>  <p>Ø4x15 mm</p>	<p>L x 3</p>  <p>M4/Ø12x1mm</p>
<p>M x 6</p>  <p>M4x11 mm</p>			



1

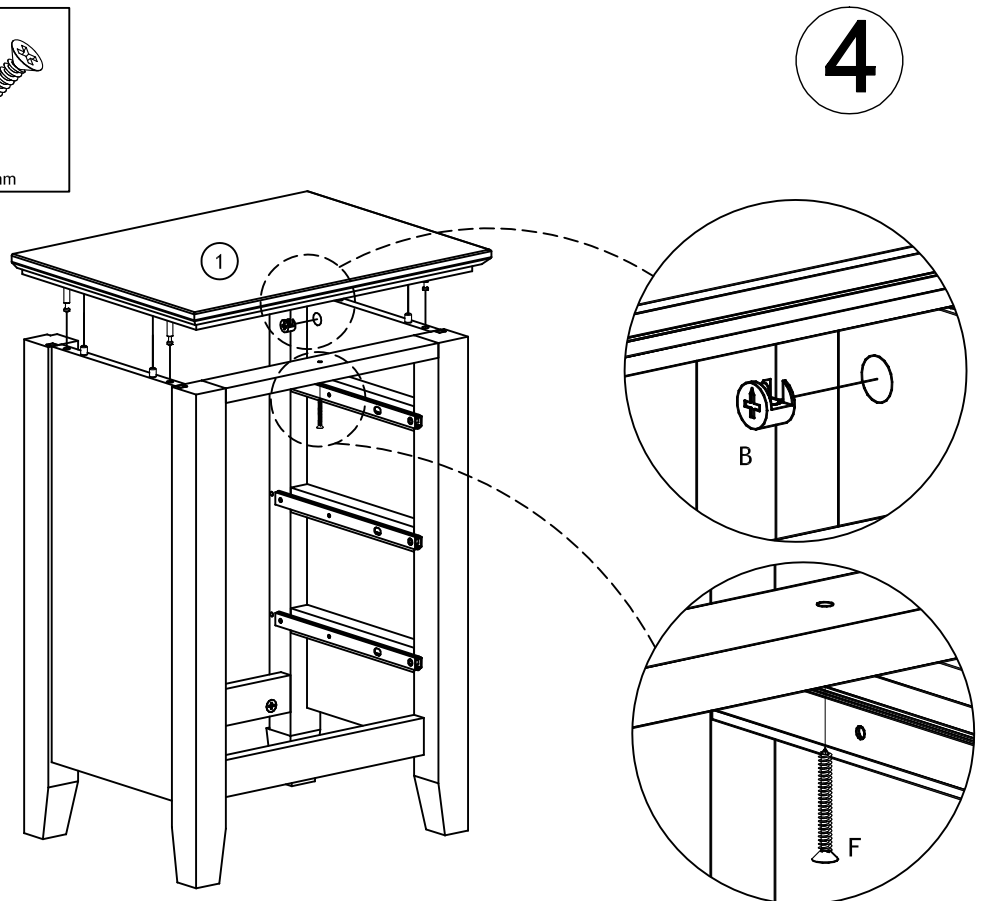
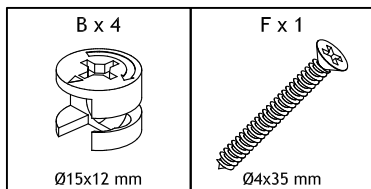
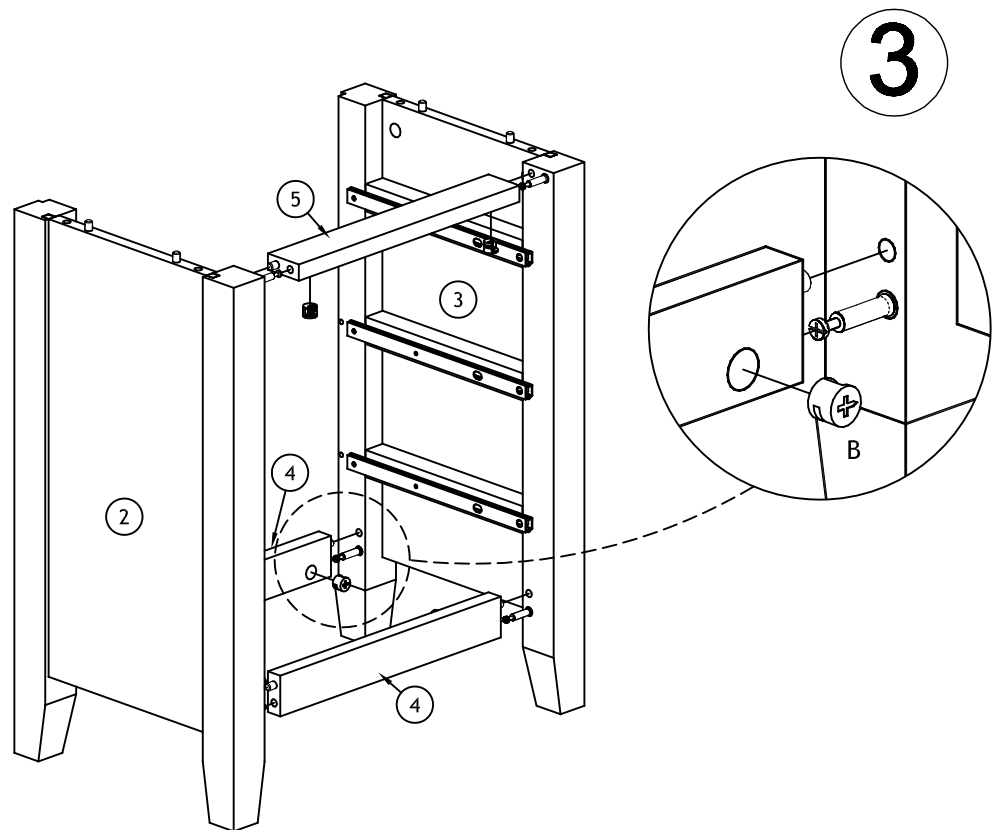
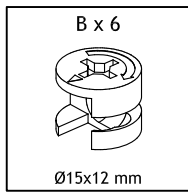


2



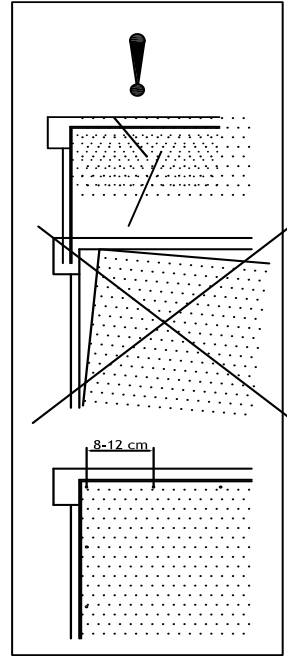
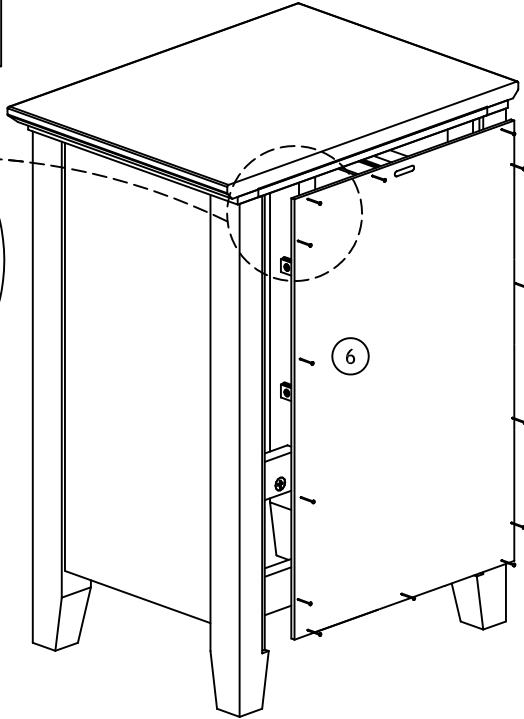
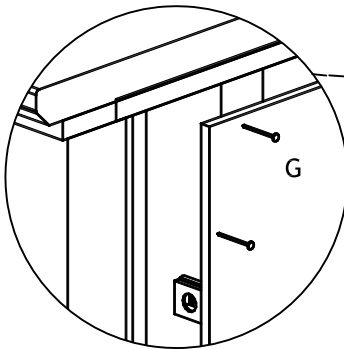
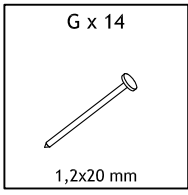
3

LINNEA BED SIDE TABLE



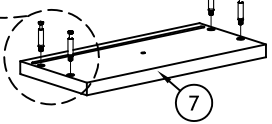
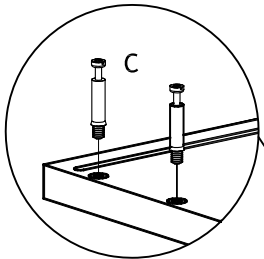
LINNEA BED SIDE TABLE

5

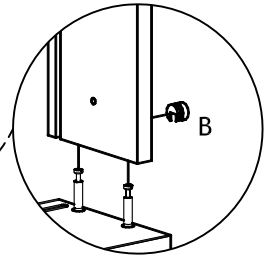
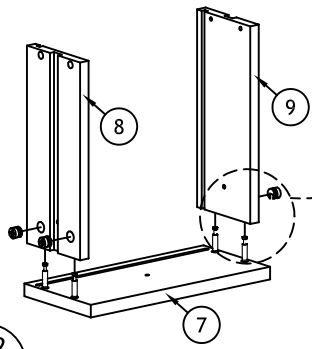


<p>B x 12</p> <p>Ø15x12 mm</p>	<p>C x 12</p> <p>M6/34 mm</p>	<p>F x 12</p> <p>Ø4x35 mm</p>	<p>H x 3</p> <p>M4x23 mm</p>	<p>I x 3</p> <p>Ø22x24mm</p>
--------------------------------	-------------------------------	-------------------------------	------------------------------	------------------------------

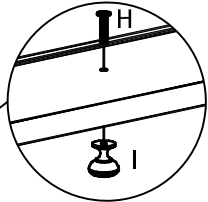
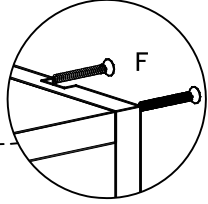
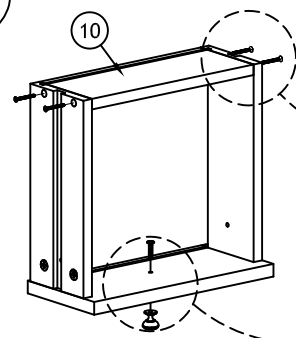
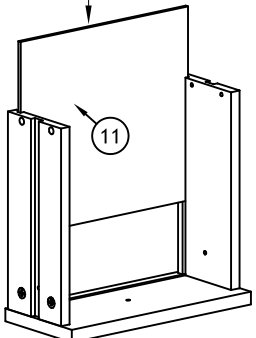
6



x3






1 2
3 4



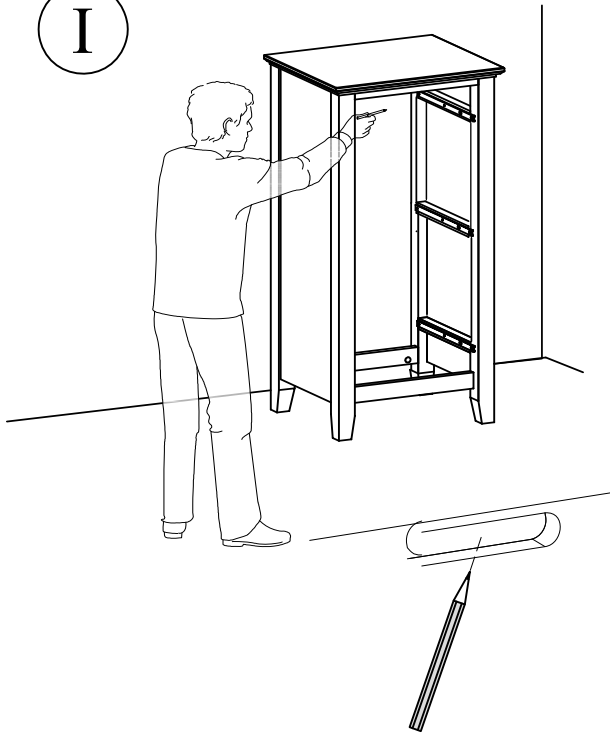
5

LINNEA BED SIDE TABLE

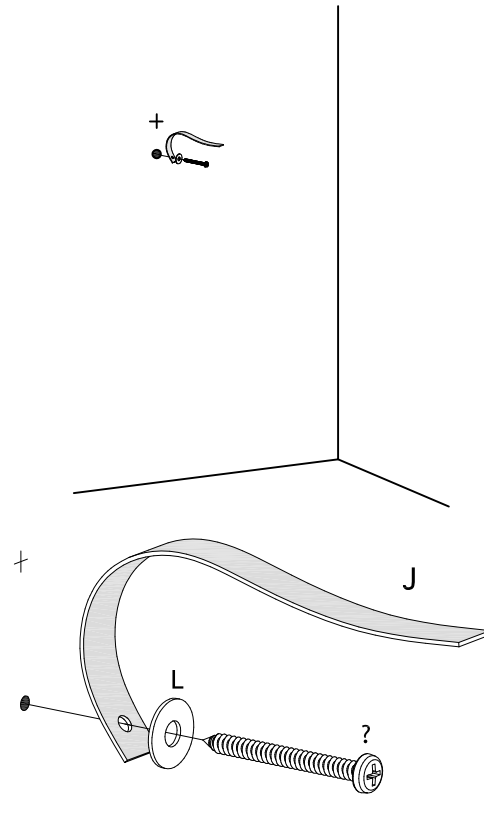
J x1  150x26 mm	K x2  Ø4x15 mm	L x 3  M4/Ø12x1mm
--	---	--

7

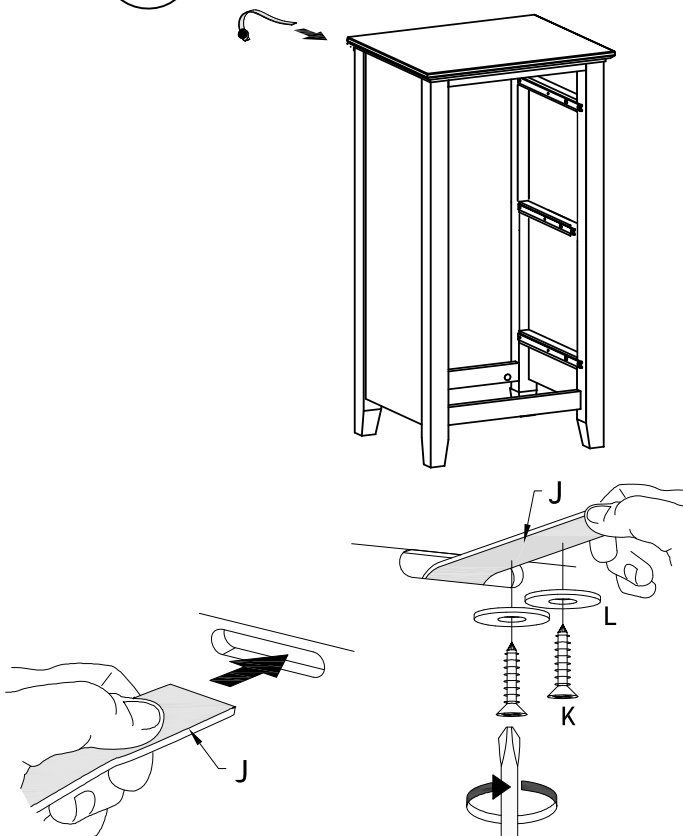
I



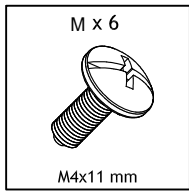
II



III



LINNEA BED SIDE TABLE



8

