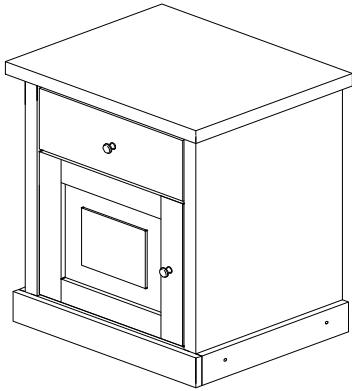


ASSEMBLY INSTRUCTION

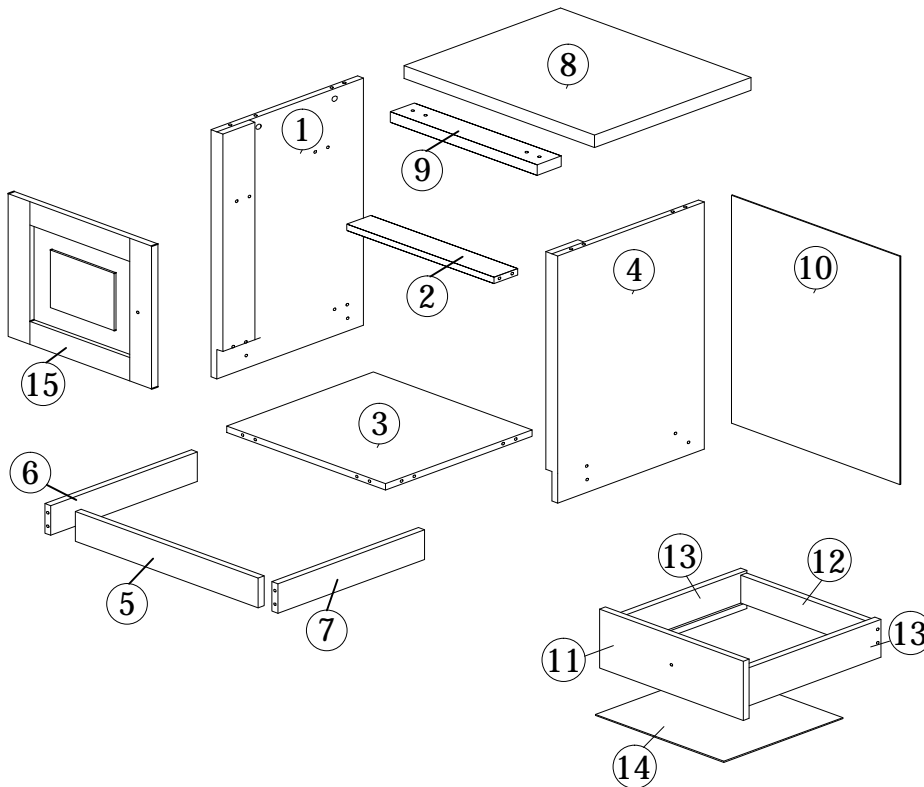
BST 5040-S5V - EMMA NACHTTAFEL / TABLE DE NUIT / NIGHT TABLE

- ~ Before assembly, please read the instructions ~
- ~ Keep these instructions for future reference ~
- ~ Follow these steps to assemble the product ~

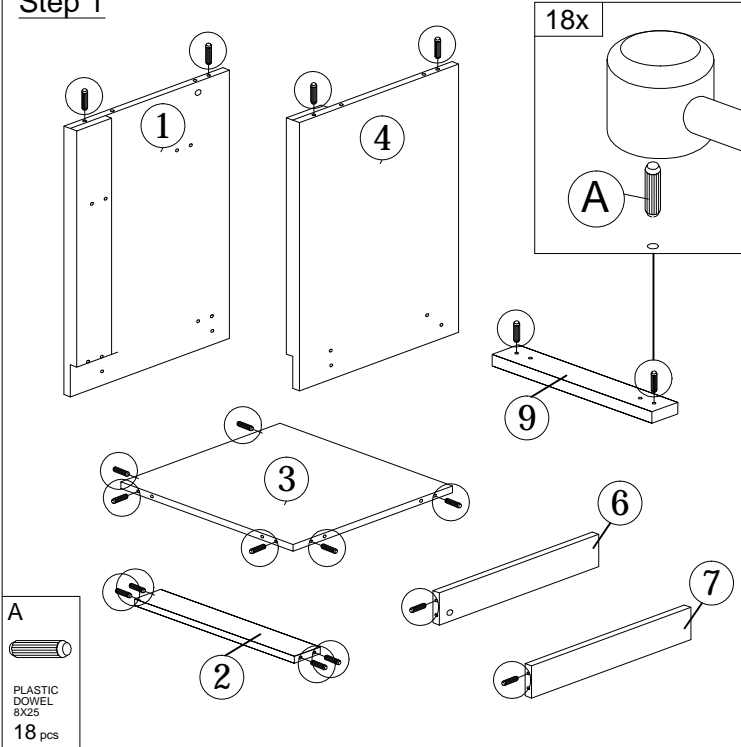


SOFT, DRY CLOTH CHEMICAL HEAT KEEP DRY HANDLE WITH CARE DO NOT USE KNIFE									
A	B	C	D	E	F	G	H1	H2	I1
PLASTIC DOWEL 8X25 18pcs	CB SCREW M3.5X12 12pcs	CB SCREW M3.5X16 8pcs	CB SCREW M4X20 4pcs	CB SCREW M4X25 6pcs	CB SCREW M4X35 8pcs	CSK CAP M6X40 6pcs	MINIFIX 5654 (HOUSING) 8pcs	MINIFIX 5654 (SCREW) 8pcs	HANDLE RA01835 (ANTIQUE ENGLISH) 2pcs
I2	I3	J	K	L1	L2	M	N		
HANDLE SCREW M4X24 1pc	HANDLE SCREW M4X40 1pc	ABS DRAWER PIN (15MM) 2pcs	HINGES 7/8 2pcs	DRAWER SLIDE 12" (SIDE PANEL) 2pcs	DRAWER SLIDE 12" (DRAWER SIDE) 2pcs	CAP 8pcs	POWER NAIL 5/8 50pcs		
O	P								
PLASTIC PIN 4pcs	ALLEN KEY 1pc								

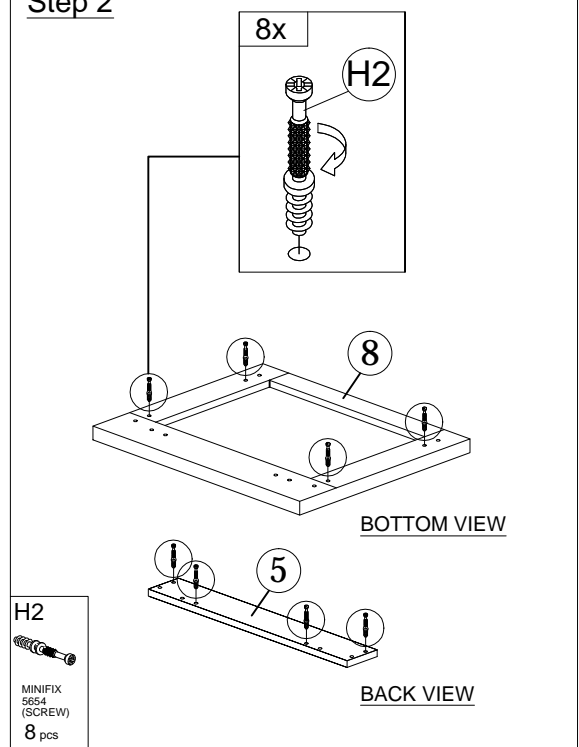
PART LIST



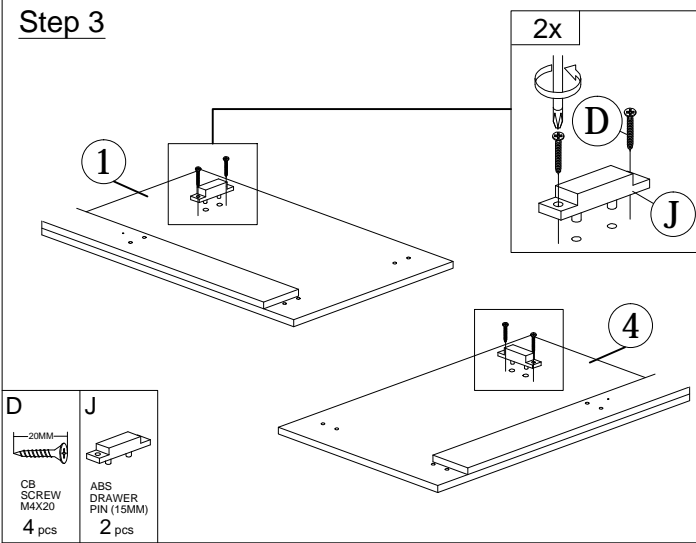
Step 1



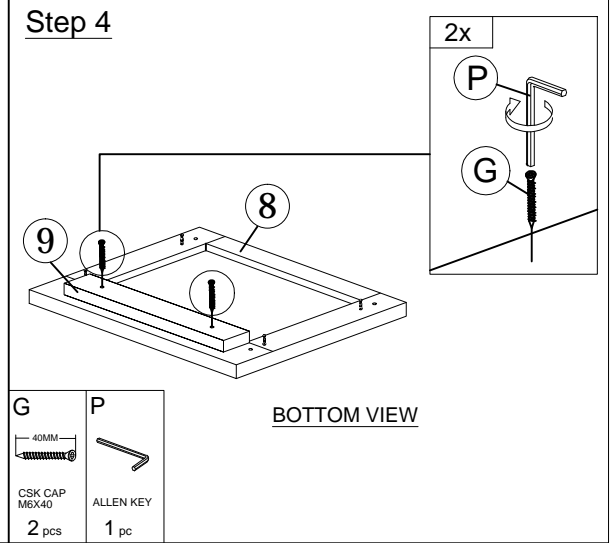
Step 2



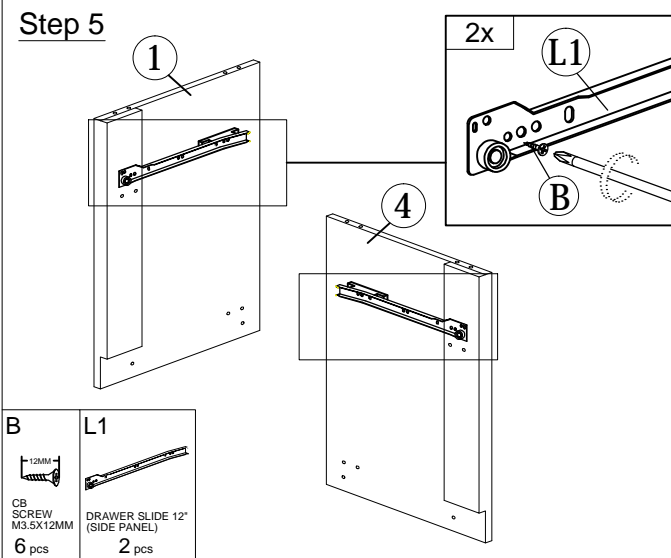
Step 3



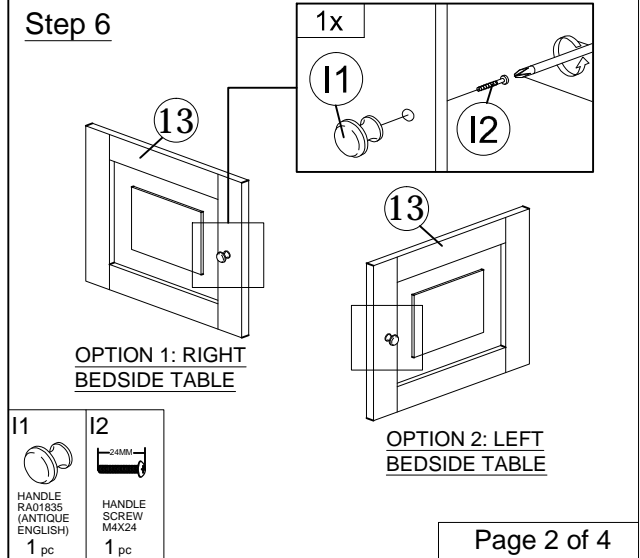
Step 4



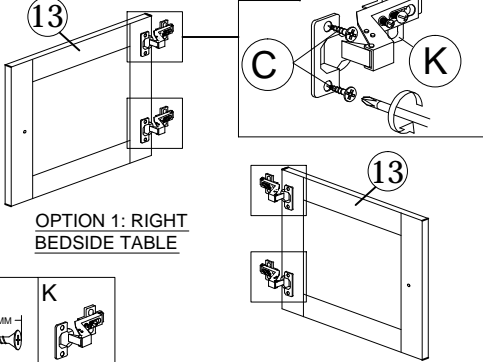
Step 5



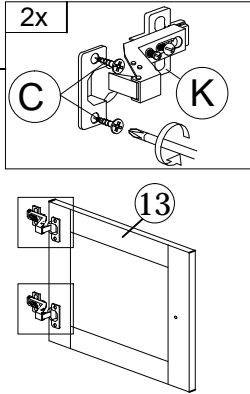
Step 6



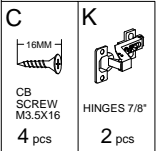
Step 7



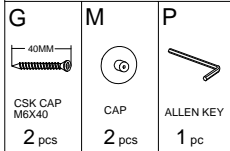
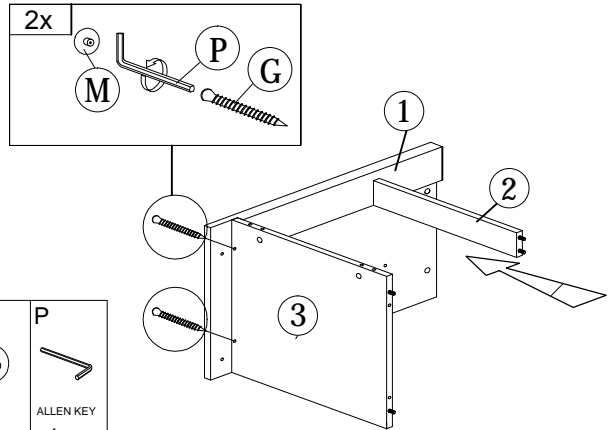
OPTION 1: RIGHT
BEDSIDE TABLE



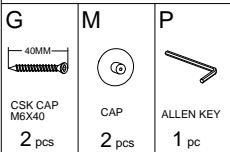
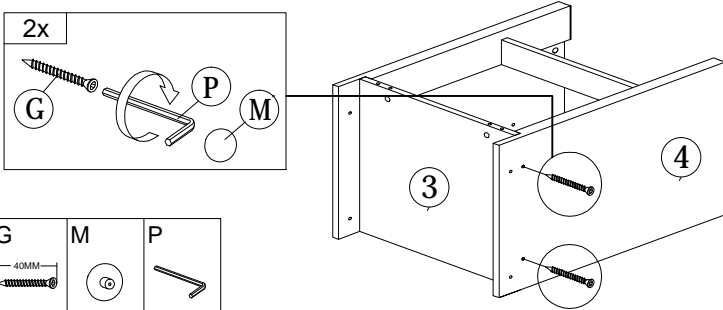
OPTION 2: LEFT
BEDSIDE TABLE



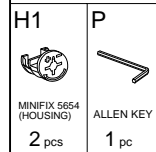
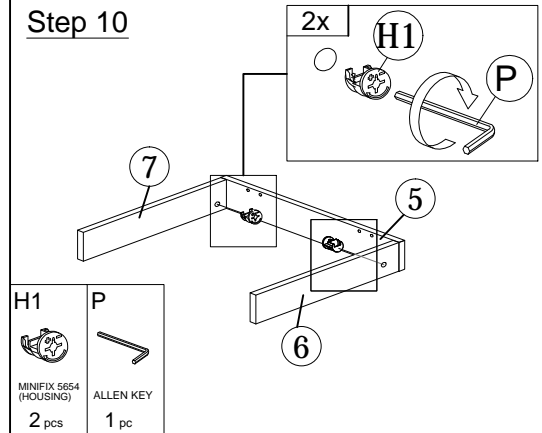
Step 8



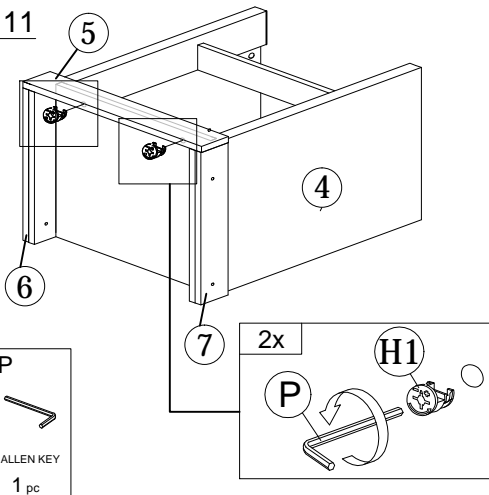
Step 9



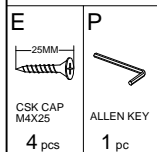
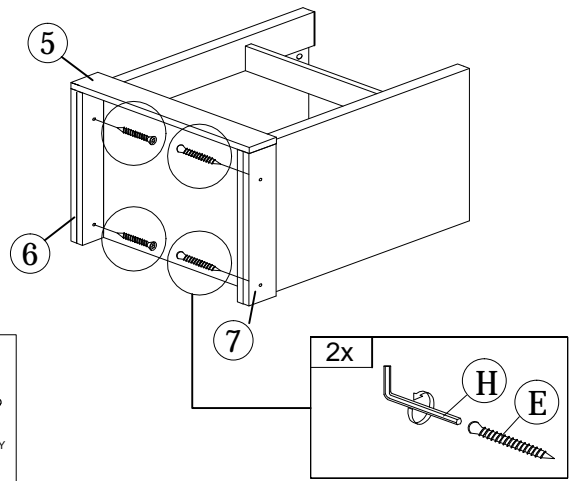
Step 10



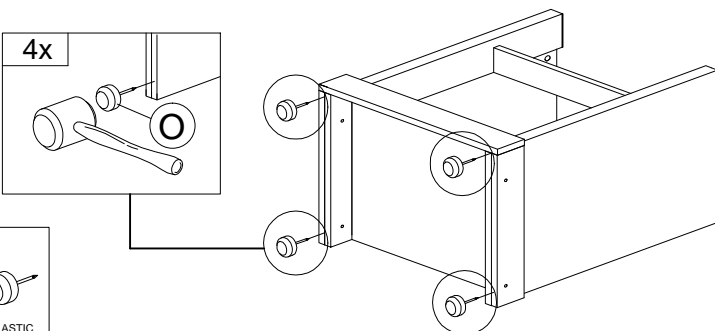
Step 11



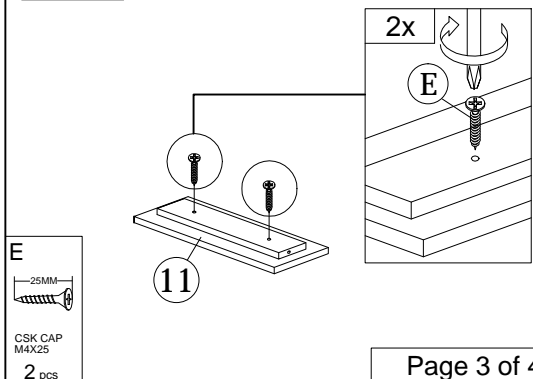
Step 12



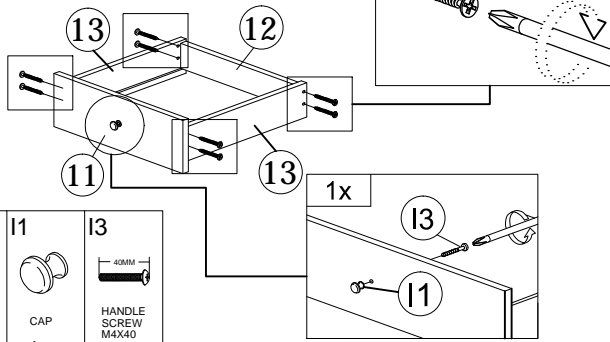
Step 13



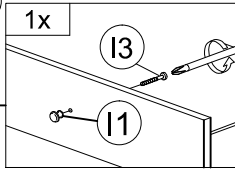
Step 14



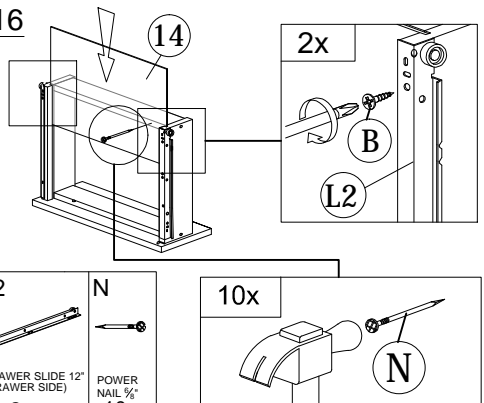
Step 15



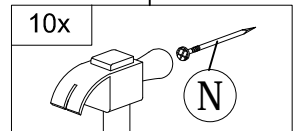
F 35MM CB SCREW M4X35	I1 CAP	I3 40MM HANDLE SCREW M4X40
8 pcs	1 pcs	1 pc



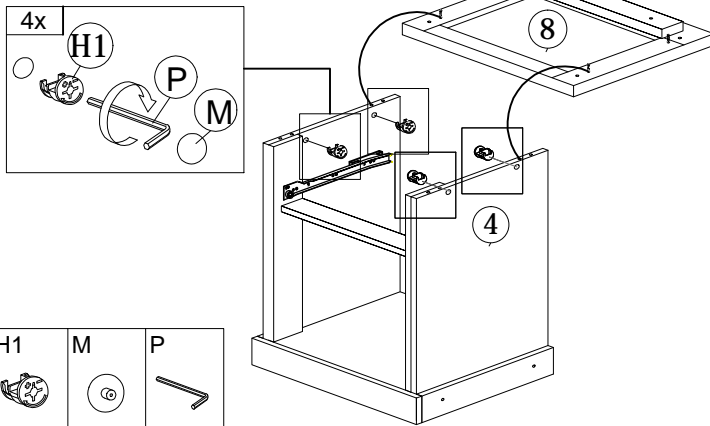
Step 16



B 12MM CB SCREW M3.5X12	L2 DRAWER SLIDE 12" (DRAWER SIDE)	N POWER NAIL 1/4"
6 pcs	2 pcs	10 pcs

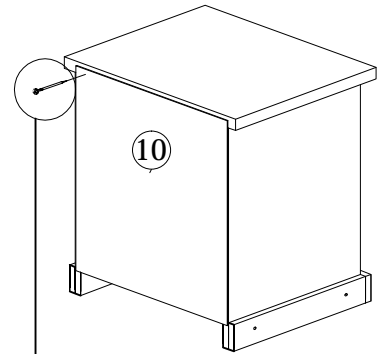


Step 17



H1 MINIFIX 5654 (HOUSING)	M CAP	P ALLEN KEY
4 pcs	4 pcs	1 pc

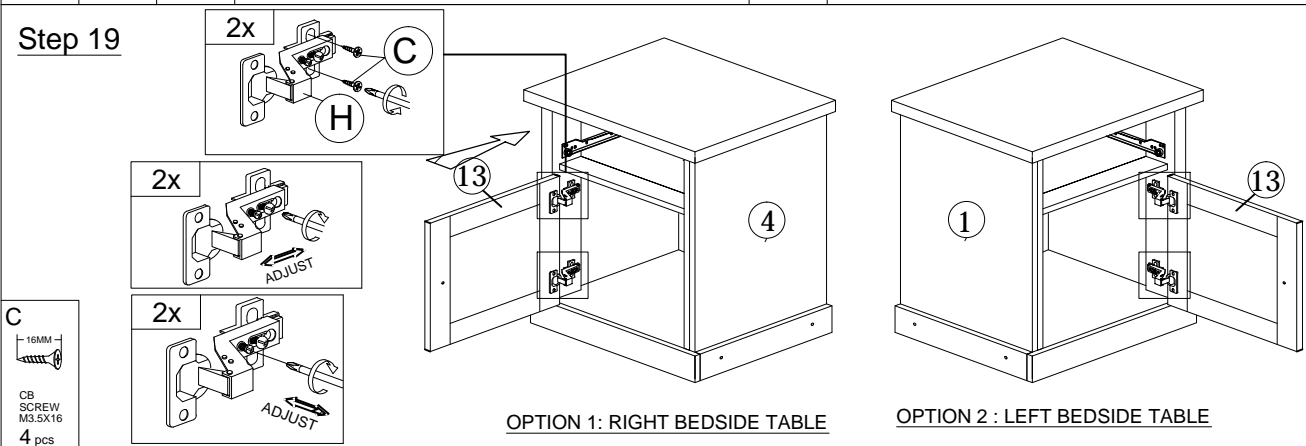
Step 18



N POWER NAIL 1/4"	40x L
40 pcs	

BACK VIEW

Step 19

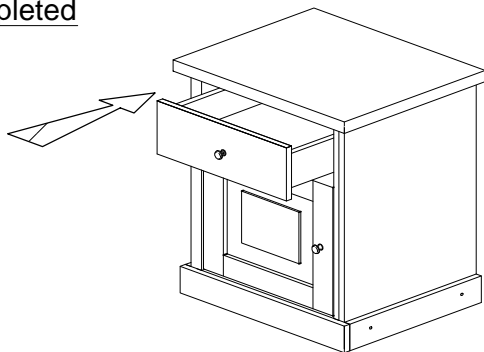


C 16MM CB SCREW M3.5X16
4 pcs

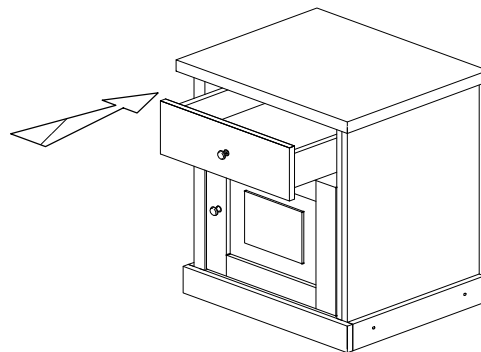
OPTION 1: RIGHT BEDSIDE TABLE

OPTION 2: LEFT BEDSIDE TABLE

Completed



OPTION 1: RIGHT BEDSIDE TABLE



OPTION 2: LEFT BEDSIDE TABLE