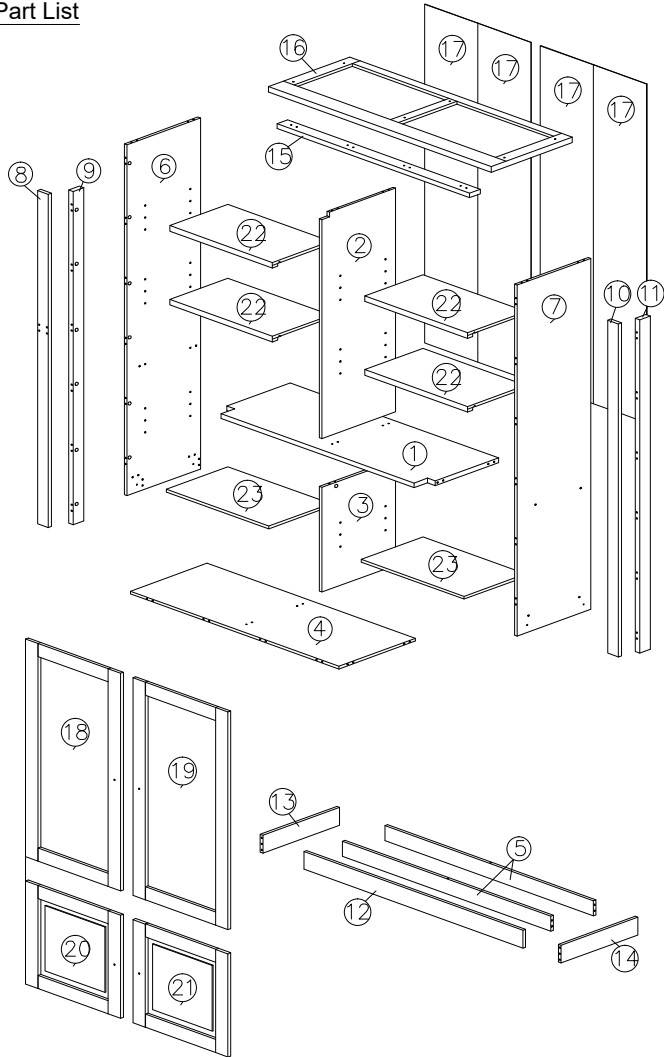


ASSEMBLY INSTRUCTION

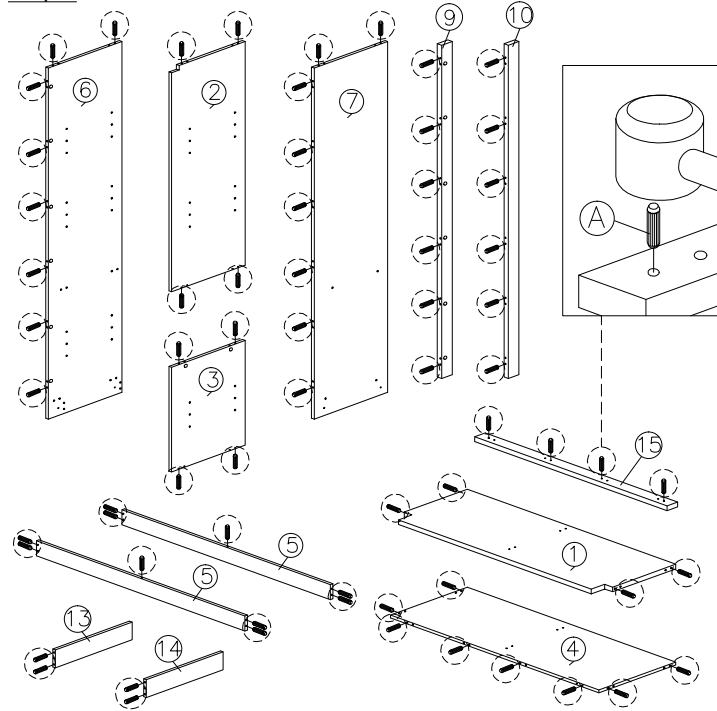
MODEL : BC 70083G-S5V - EMMA ARGENTIER / GLASKAST / GLASS CABINET

HARDWARE	A	B	C	D	E	F1 F2	G	H	I	J	K	L	M	N	O	P	Q
	PLASTIC DOWEL M8X25 1X66	CB SCREW M3.5X16 1X40	CB SCREW M4X30 1X4	CSK CAP M6X40 1X12	CSK CAP M6X50 1X12	MINIFIX 5654 32 SETS	METAL SHELF SUPPORT 1X24	CAP 1X22	Z BRACKET 1X20	P/H SCREW M4X12 1X20	PLASTIC PIN 1X6	HINGES INSIDE 7/8" 1X10 SETS	POWER NAIL 6/8" 1X88	ALLEN KEY 1X1	METAL KNOB 1X4	HANDLE SCREW M4X22 1X4	GLASS (1050 X 430 X 3MM) 1X2

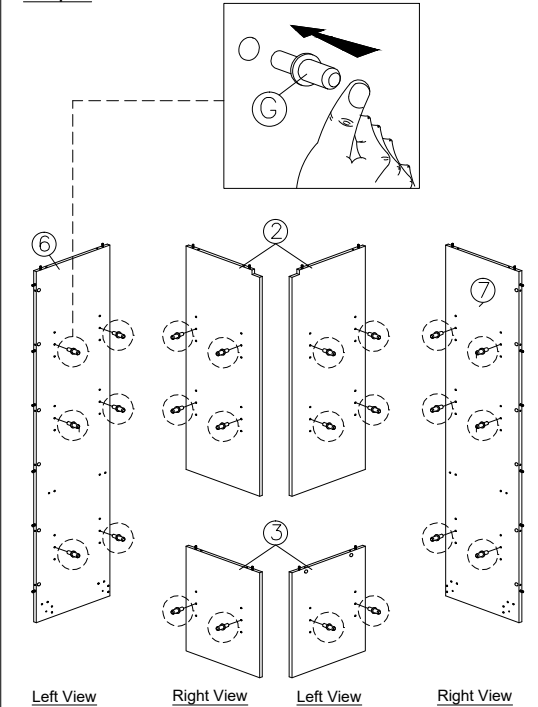
Part List



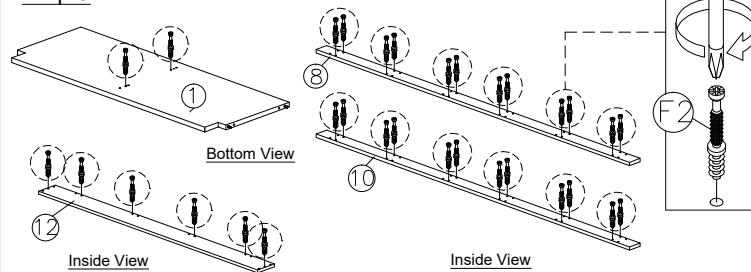
Step 1



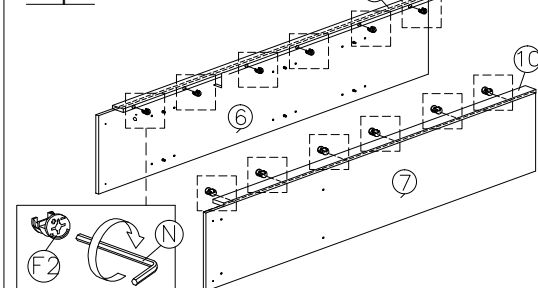
Step 2



Step 3

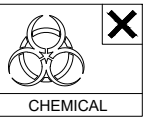


Step 4

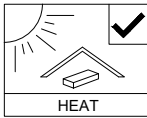




SOFT, DRY CLOTH



CHEMICAL



HEAT



KEEP DRY



HANDLE WITH CARE

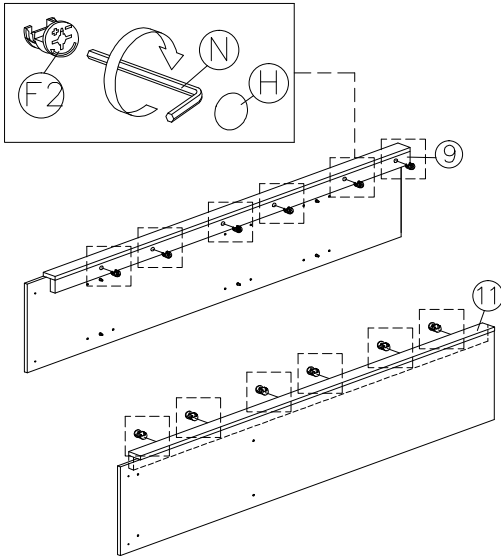


DO NOT USE KNIFE

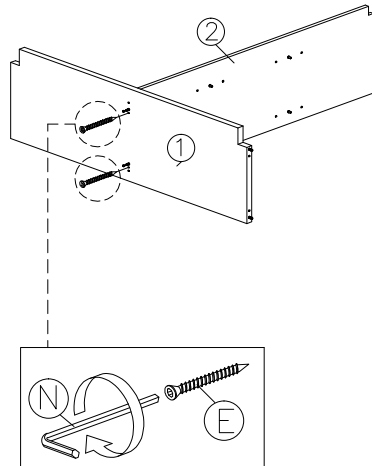
ASSEMBLY INSTRUCTION

MODEL : BC 70083G-S5V - EMMA ARGENTIER / GLASKAST / GLASS CABINET

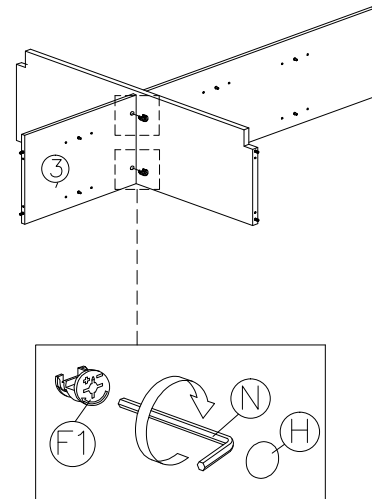
Step 5



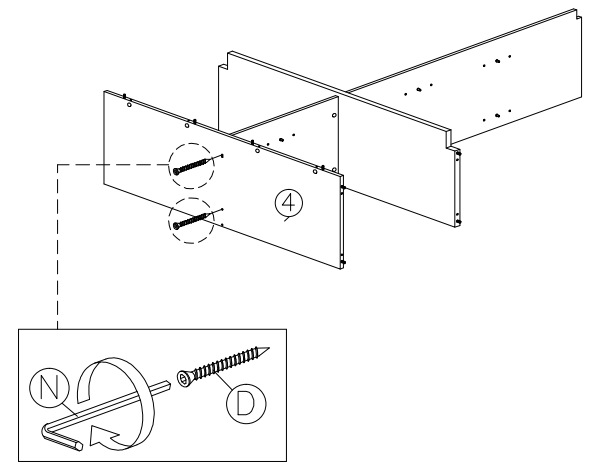
Step 6



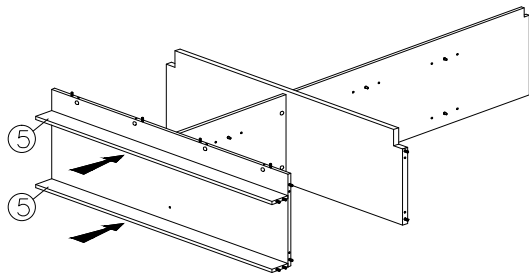
Step 7



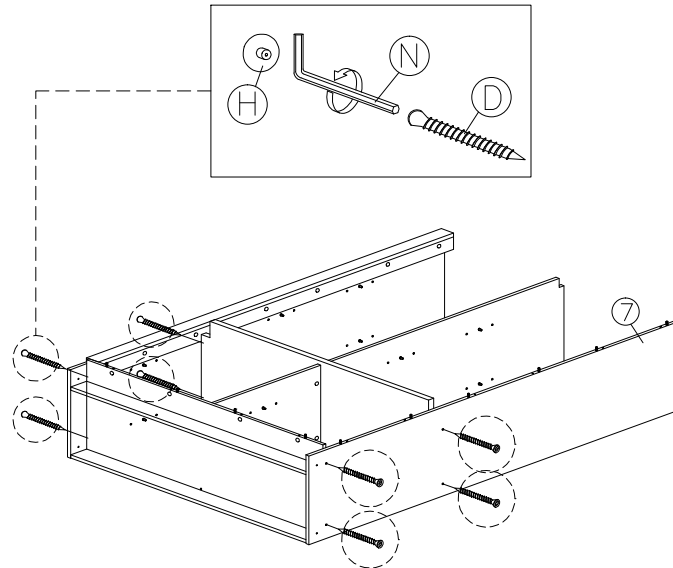
Step 8a



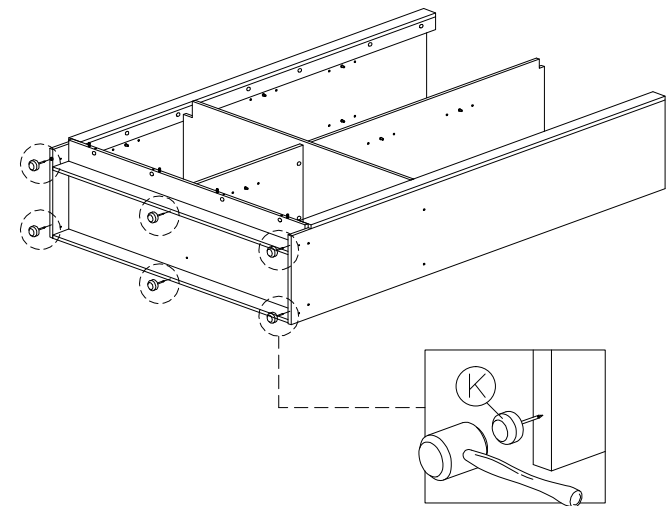
Step 8b

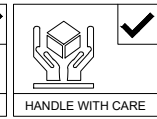
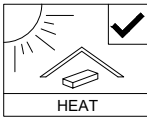
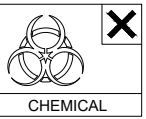


Step 9



Step 10

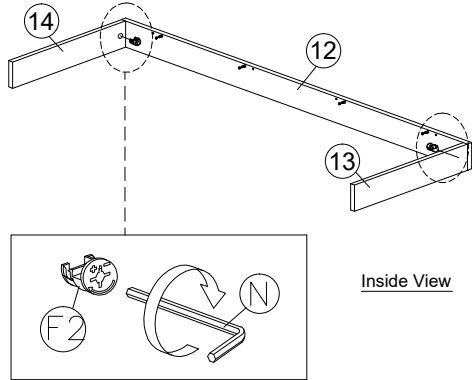




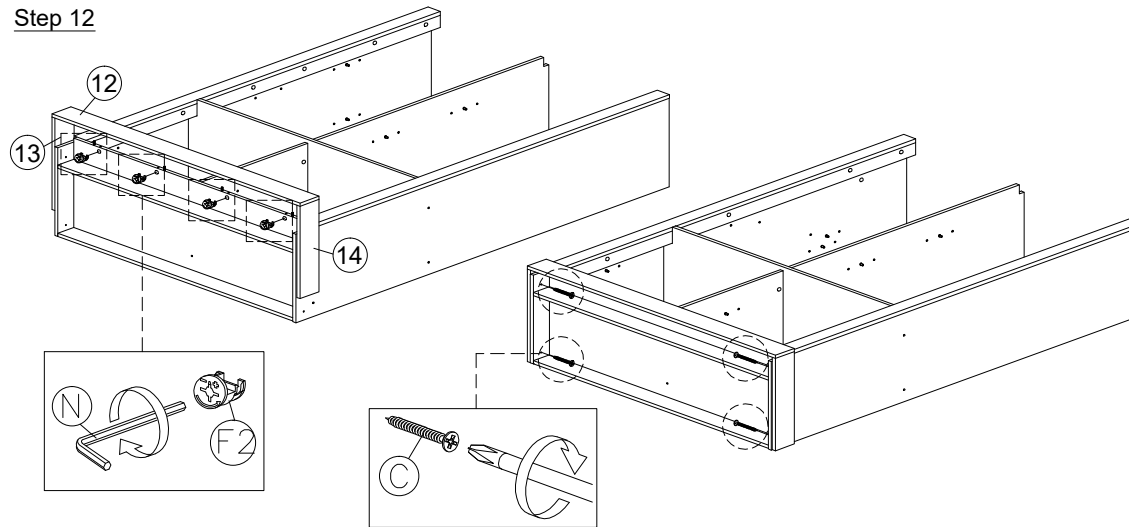
ASSEMBLY INSTRUCTION

MODEL : BC 70083G-S5V - EMMA ARGENTIER / GLASKAST / GLASS CABINET

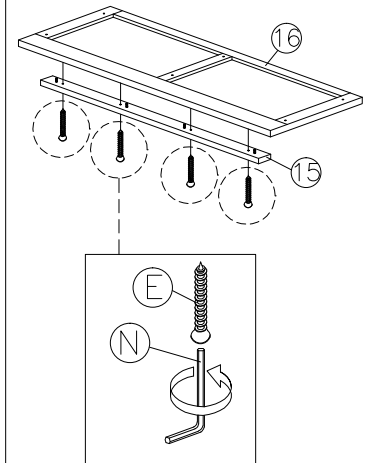
Step 11



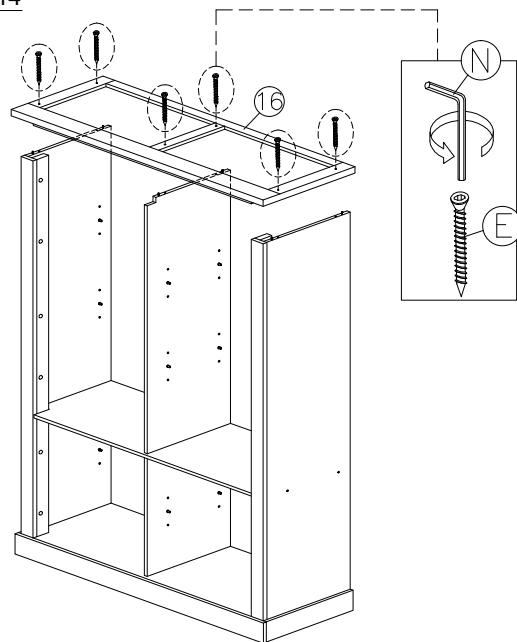
Step 12



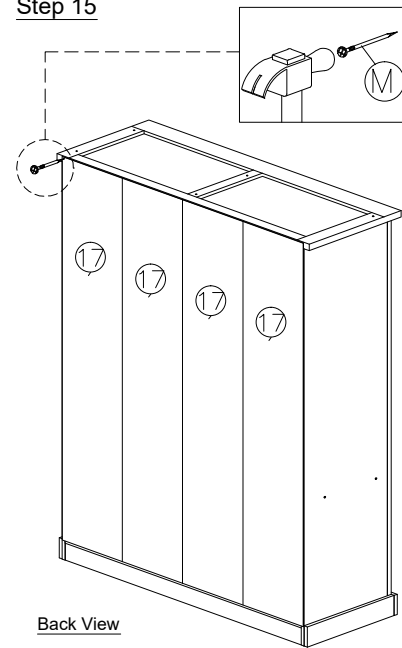
Step 13



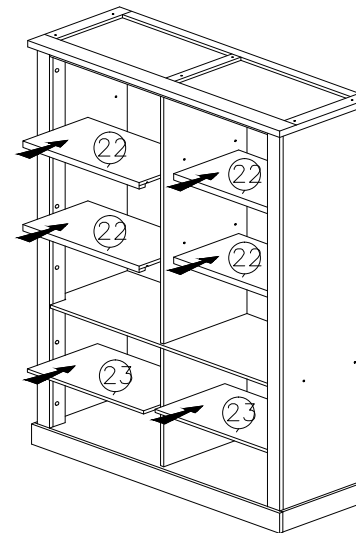
Step 14



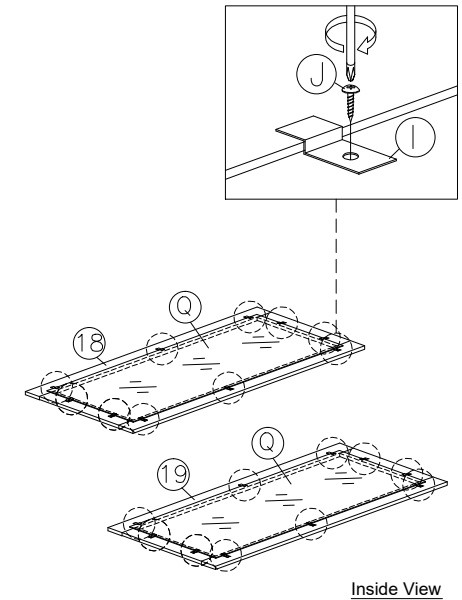
Step 15



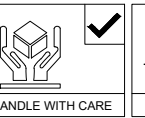
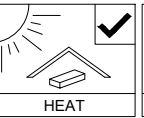
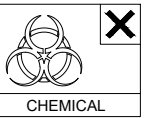
Step 16



Step 17



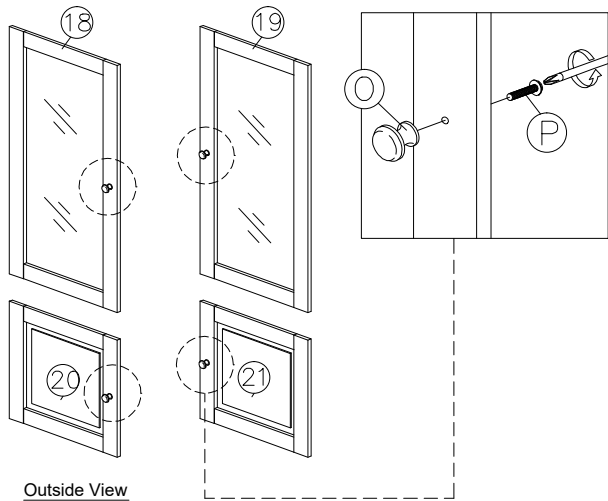
Inside View



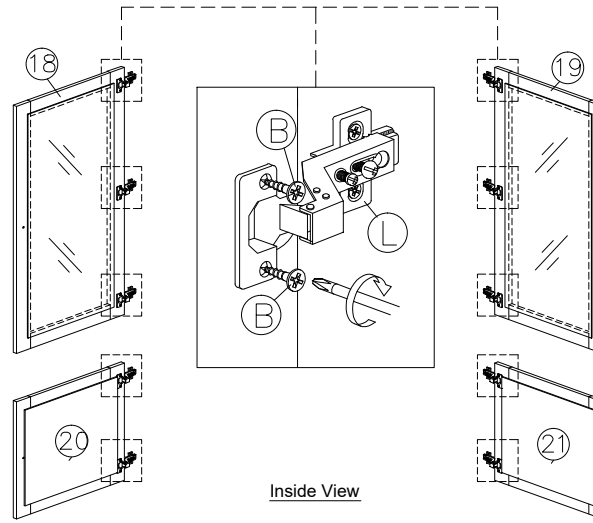
ASSEMBLY INSTRUCTION

MODEL : BC 70083G-S5V - EMMA ARGENTIER / GLASKAST / GLASS CABINET

Step 18



Step 19



Completed

