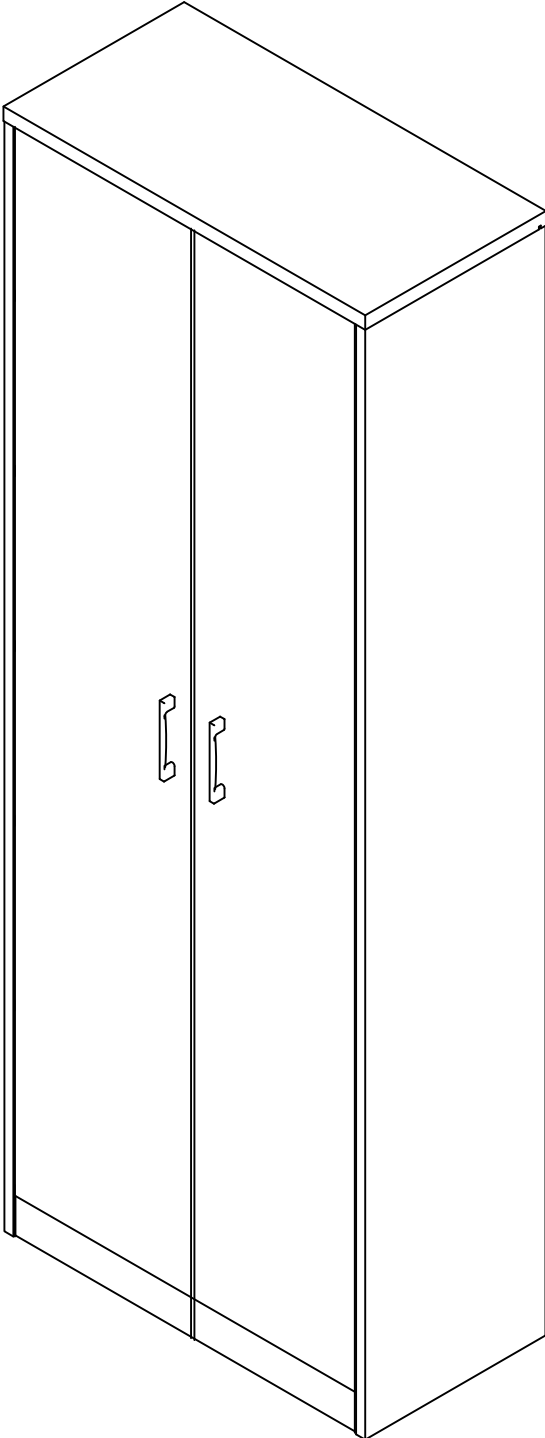


ITEM : 6142-2

SIZE : 720W X 360D X 1940H

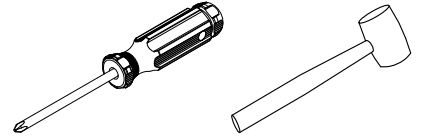


ASSEMBLY INSTRUCTIONS

CAUTION :

- BEFORE ASSEMBLING, READ ALL THE INSTRUCTION.
- ENSURE ALL COMPONENTS ARE PLACE ONTO CARDBOARD AS PROTECTION.
- CLEAN SURFACE WITH A DRY OR DAMP SOFT CLOTH.
- DO NOT USE ABRASIVE CLEANERS, DETERGENT OR CHEMICAL.

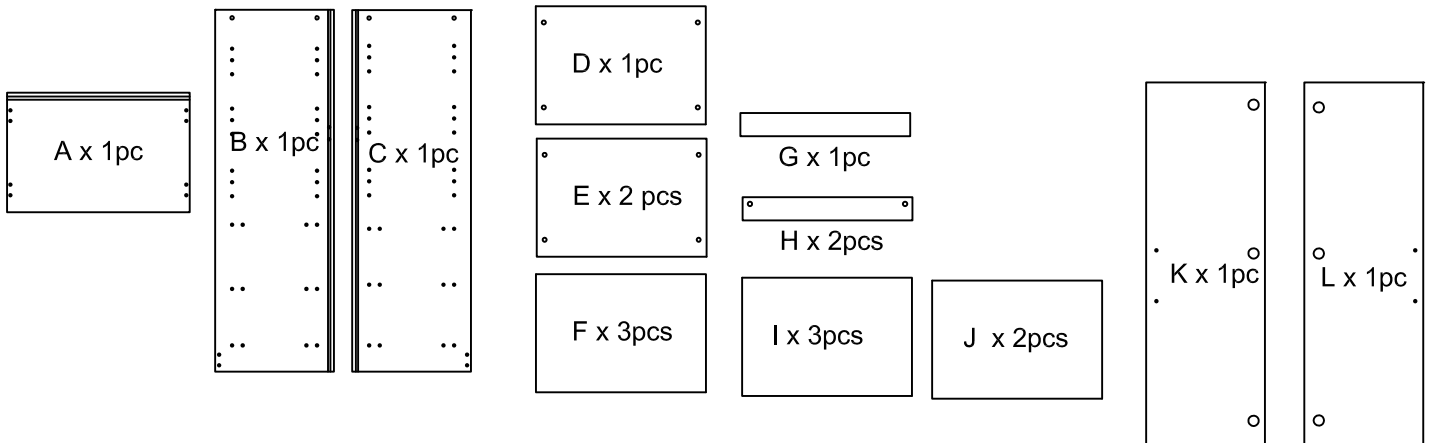
TOOLS REQUIRED :



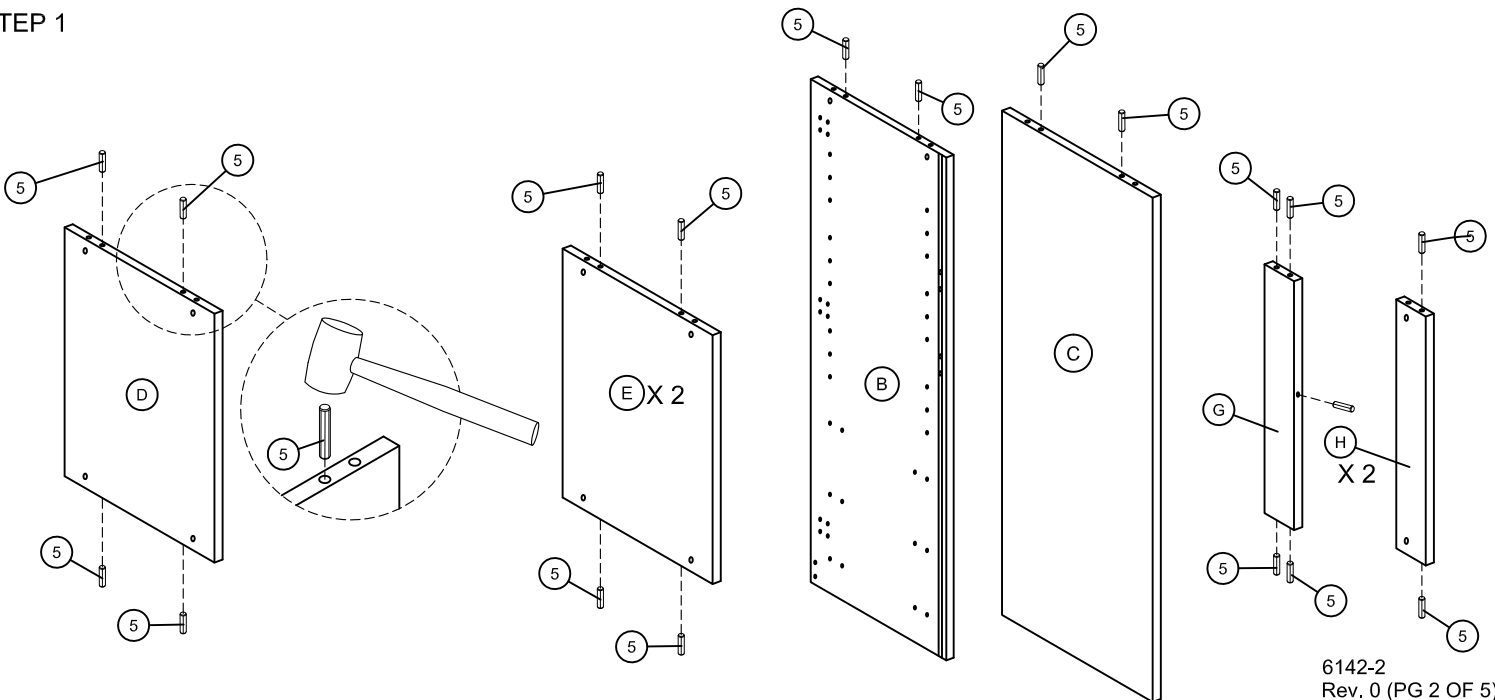
HARDWARE :

1	2	3	4	5	6	7	
x 16 PCS	x 4 PCS	x 20 PCS	x 20 PCS	x 25 PCS	x 12 PCS	x 20 PCS	
8	9	10	11				
x 6 PCS	CBS 3.5 X 16 x 36 PCS	x 2 PCS	x 4 PCS				

COMPONENTS :

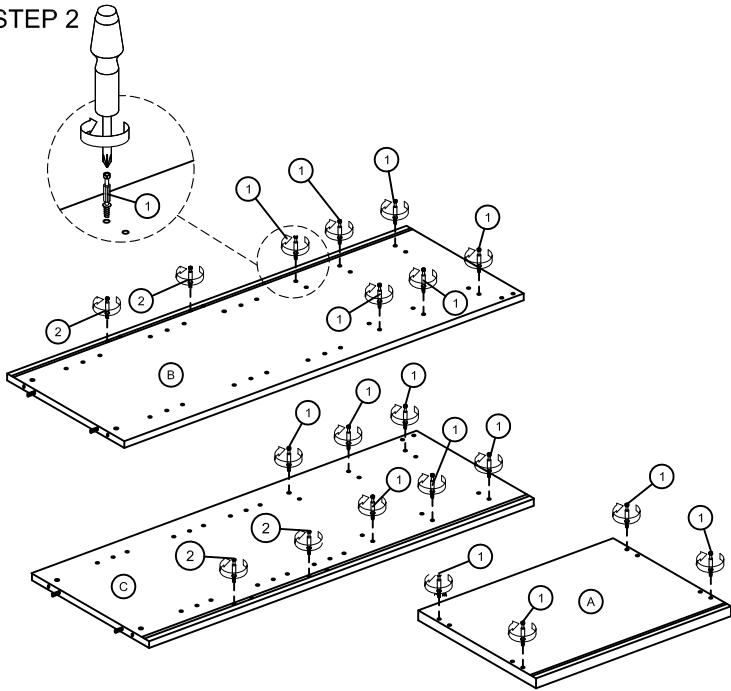


STEP 1

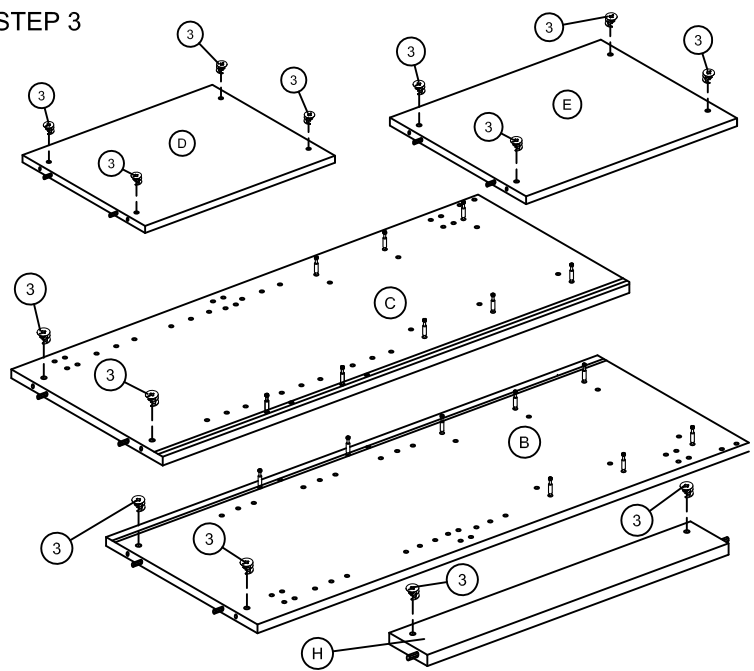


ASSEMBLY INSTRUCTIONS

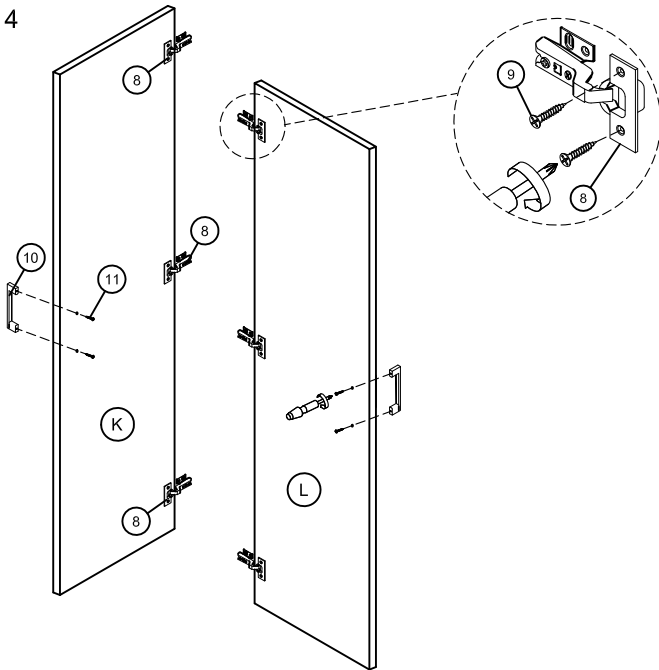
STEP 2



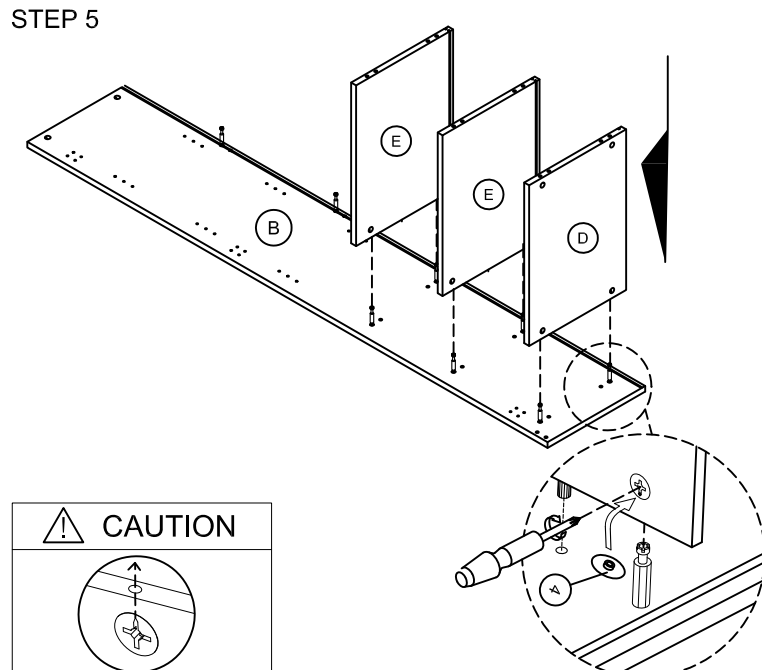
STEP 3



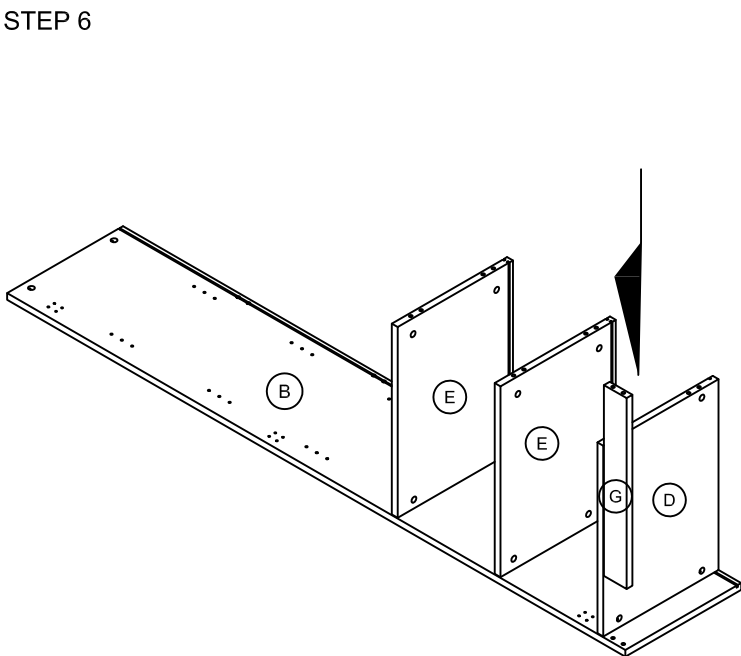
STEP 4



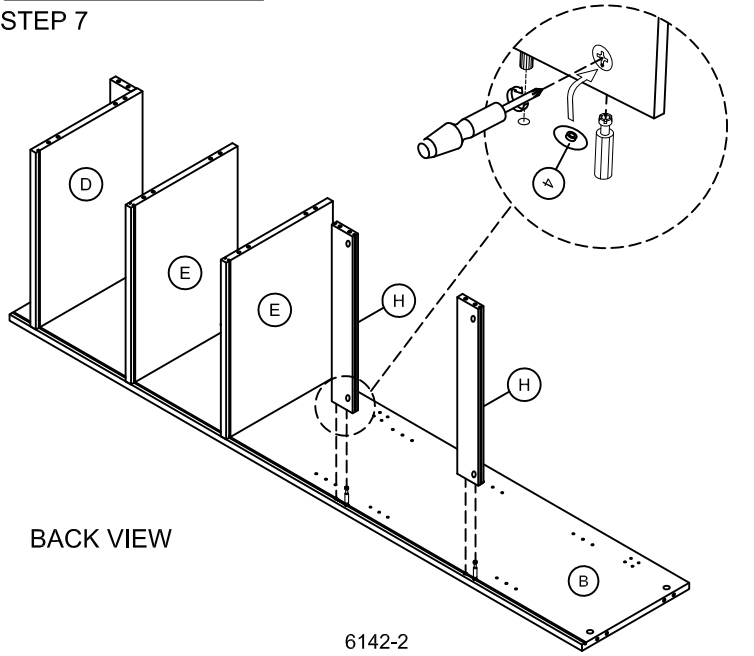
STEP 5



STEP 6

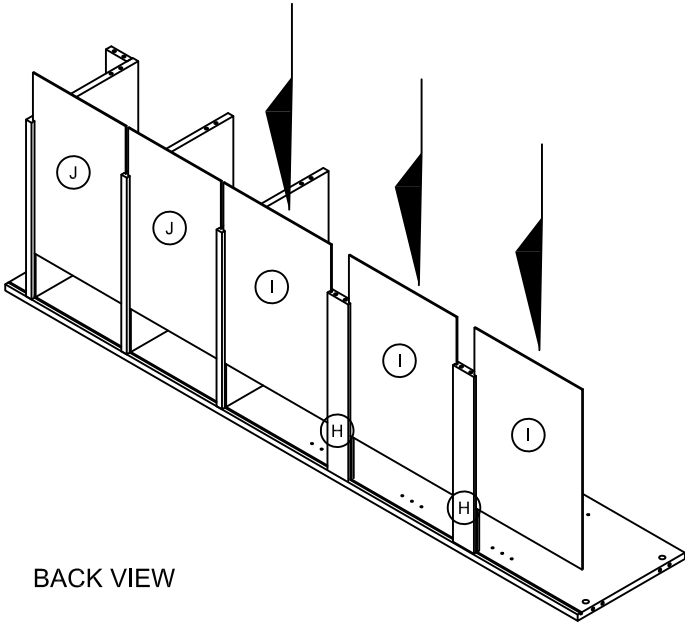


STEP 7



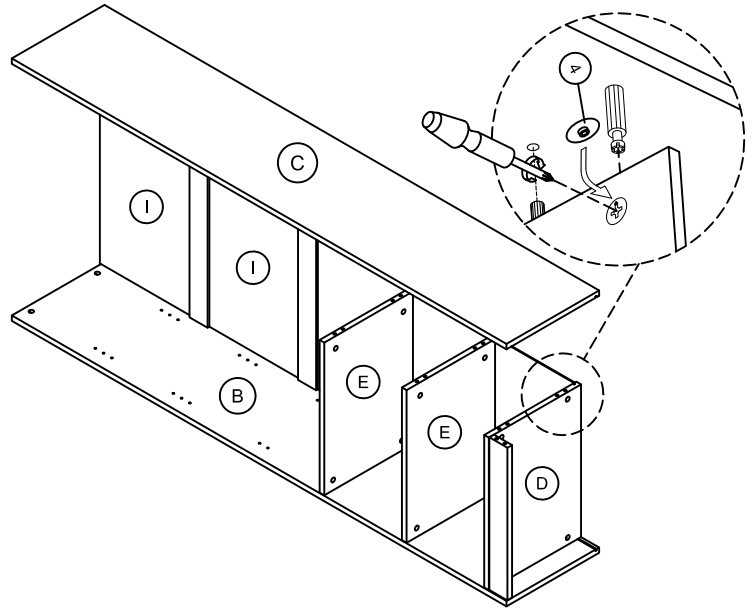
ASSEMBLY INSTRUCTIONS

STEP 8

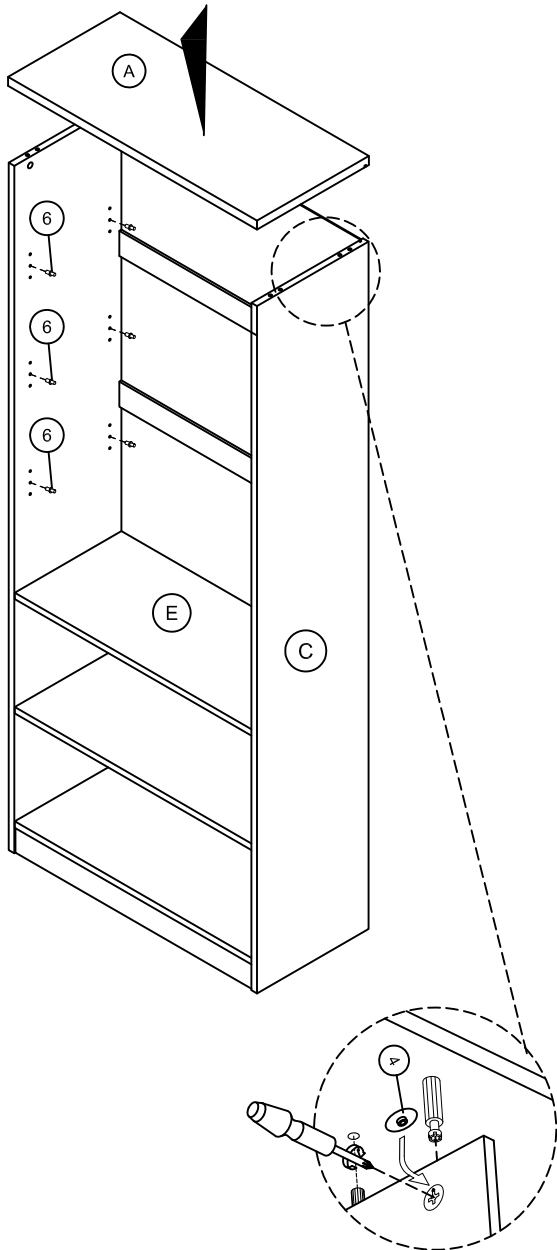


BACK VIEW

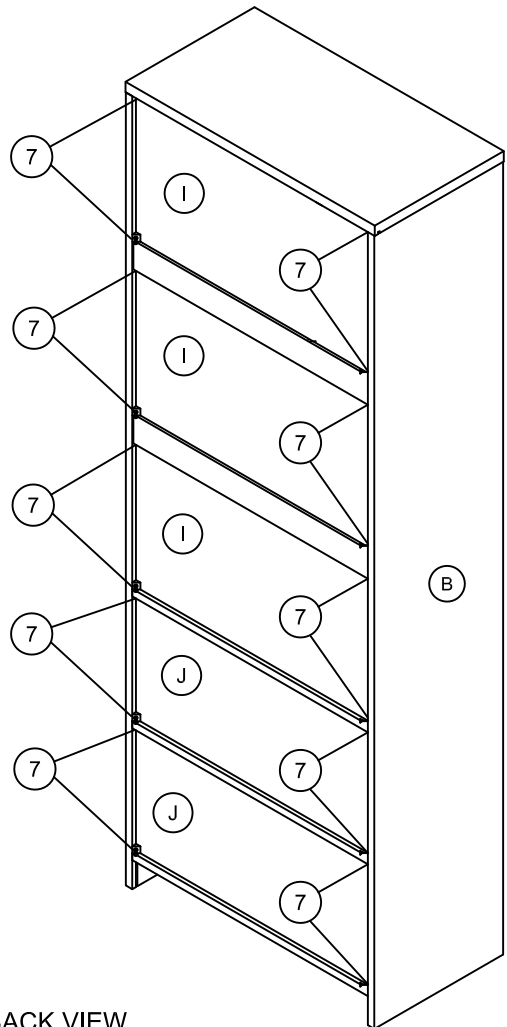
STEP 9



STEP 10



STEP 11



BACK VIEW

ASSEMBLY INSTRUCTIONS

STEP 12

