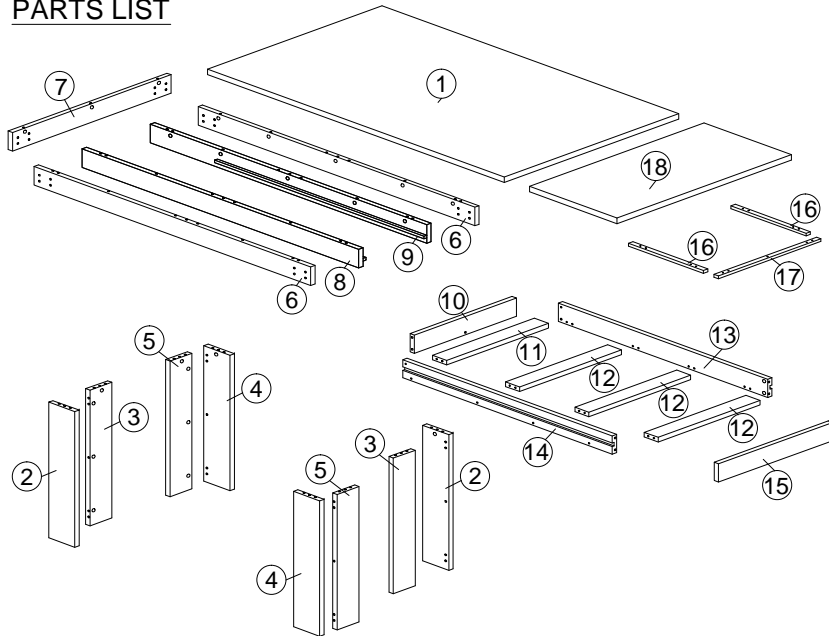


ASSEMBLY INSTRUCTION

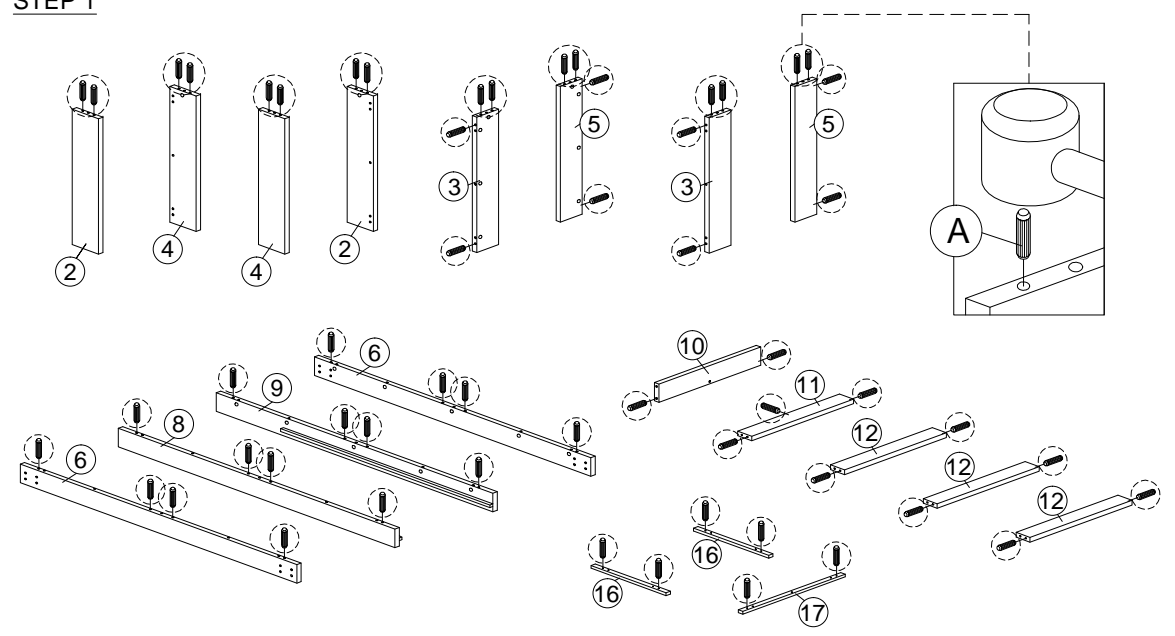
MODEL : DS 013-ET-S5V - ELITE / EDDY EETTAFEL / TABLE / DINING TABLE 170/220

| HARDWARE | A | B | C | D | E | F | G | H | I | J | K | L | M |
|----------|------------------------------|--------------------------|--------------------------|------------------------|-------------------------|-------------------|---------------------|------------------|------------------------------|-----------------------|---------------------|----------------------------------|-------------------|
| | | | | | | | | | | | | | |
| | PLASTIC DOWEL 8 X 25 1X56 | CB SCREW M3.5X16 1X28 | CB SCREW M4.5X45 1X24 | CSK CAP M6 X 40 1X7 | MINIFIX 5654 47 SETS | SCREW CAP 1X47 | PLASTIC PIN 1X12 | ALLEN KEY 1X1 | I-BRACKET (75 x 20mm) 1X2 | CSK CAP M6X50 1X11 | STOPPER LOCK 1X2 | 'U' PLASTIC RAIL (1198MM) 1X2 | METAL HOOK 1X2 |

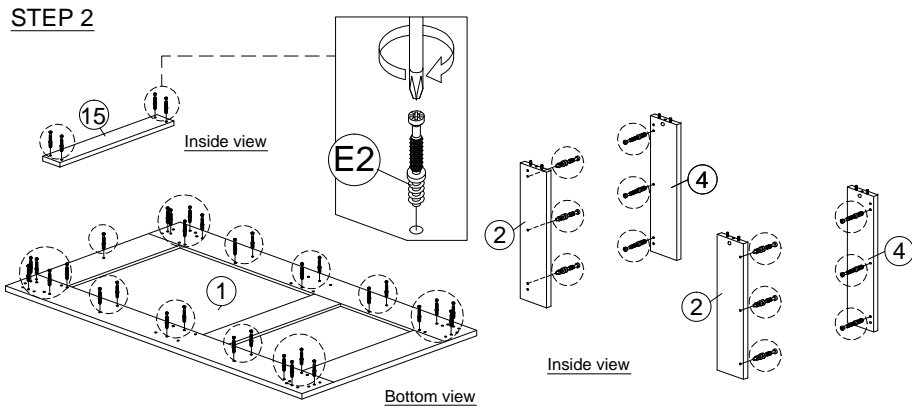
PARTS LIST



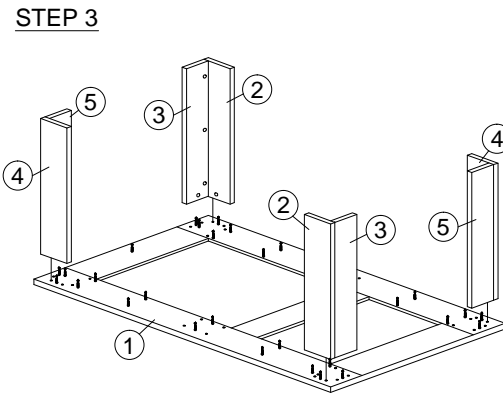
STEP 1



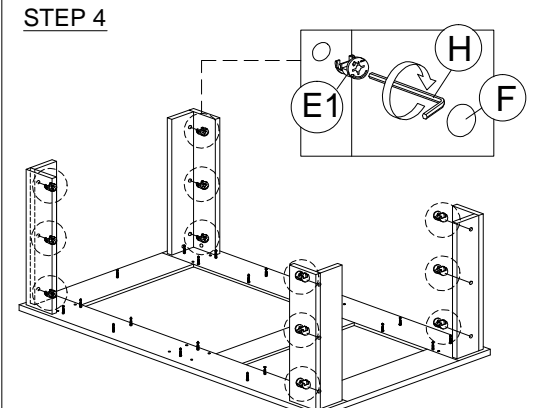
STEP 2

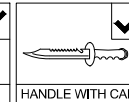
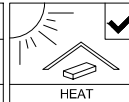
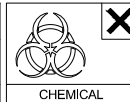


STEP 3



STEP 4

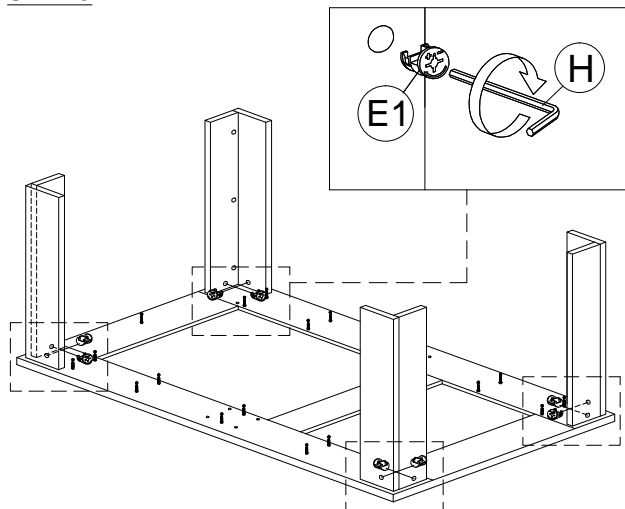




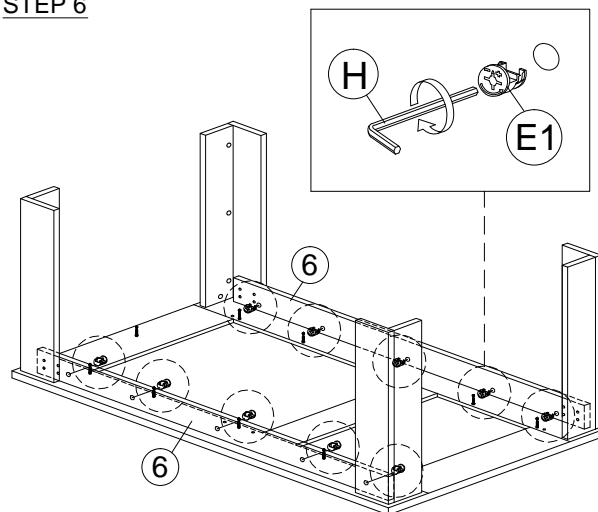
ASSEMBLY INSTRUCTION

MODEL : DS 013-ET-S5V - ELITE / EDDY EETTAFEL / TABLE / DINING TABLE 170/220

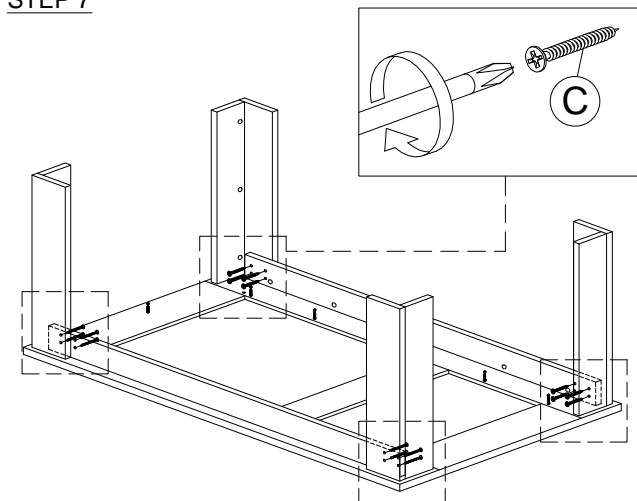
STEP 5



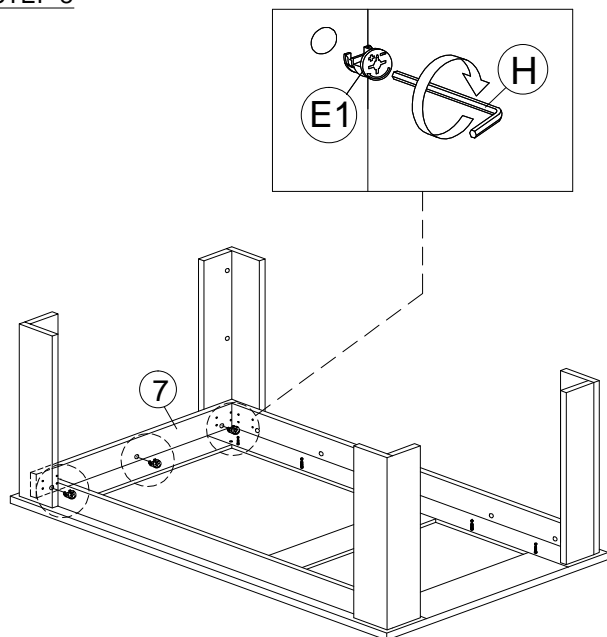
STEP 6



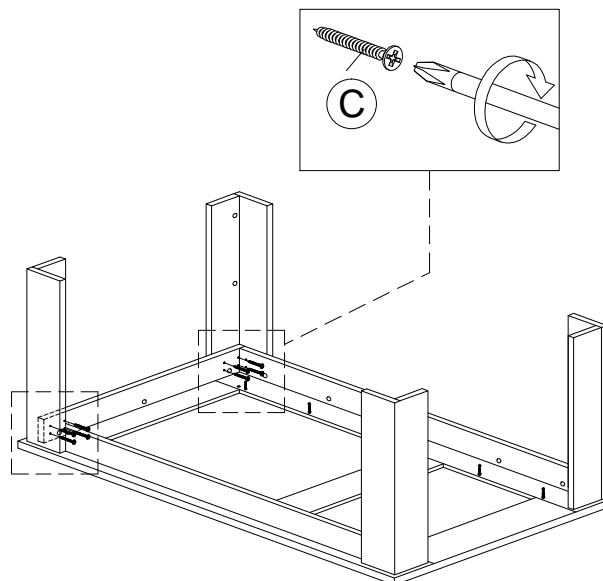
STEP 7



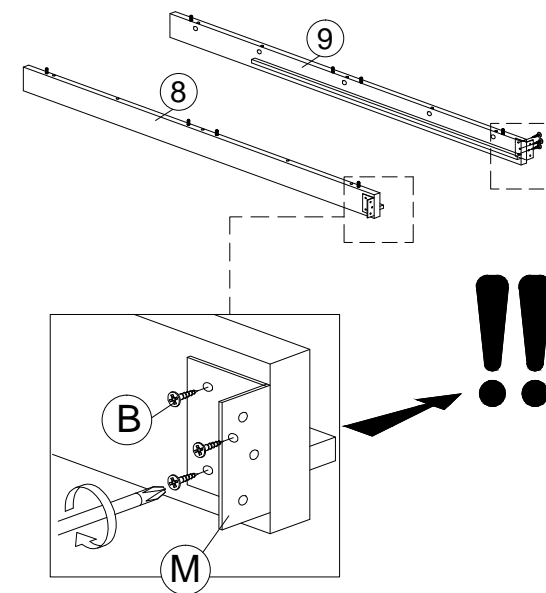
STEP 8

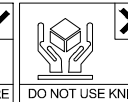
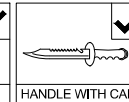
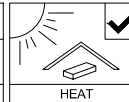
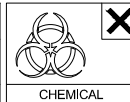


STEP 9



STEP 10

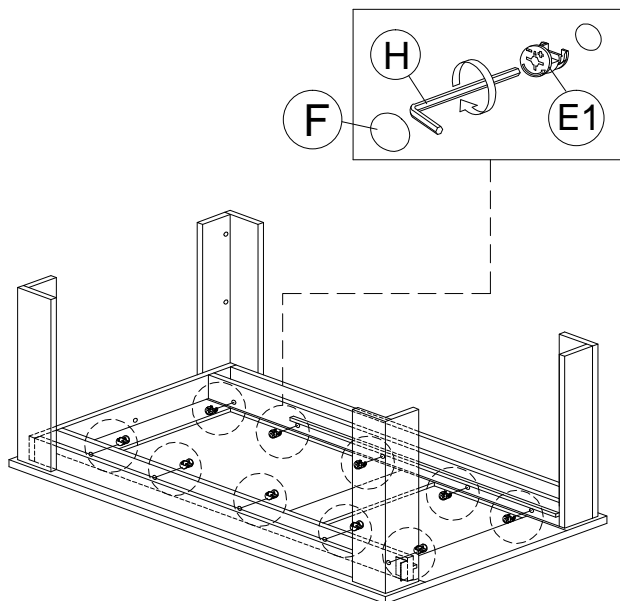




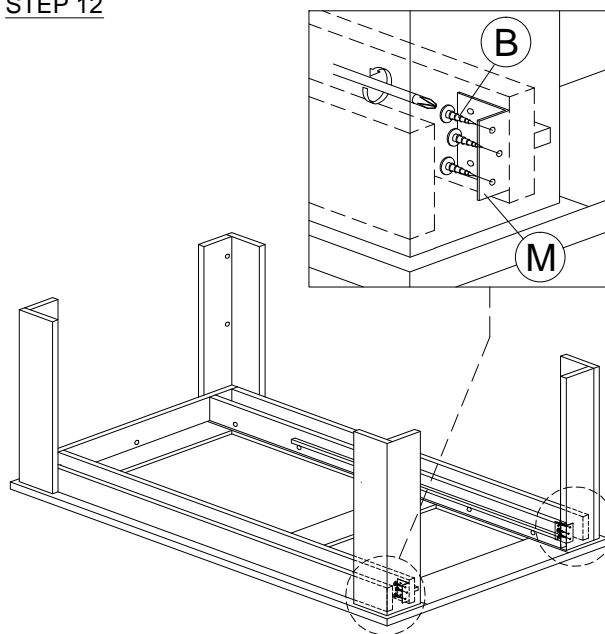
ASSEMBLY INSTRUCTION

MODEL : DS 013-ET-S5V - ELITE / EDDY EETTAFEL / TABLE / DINING TABLE 170/220

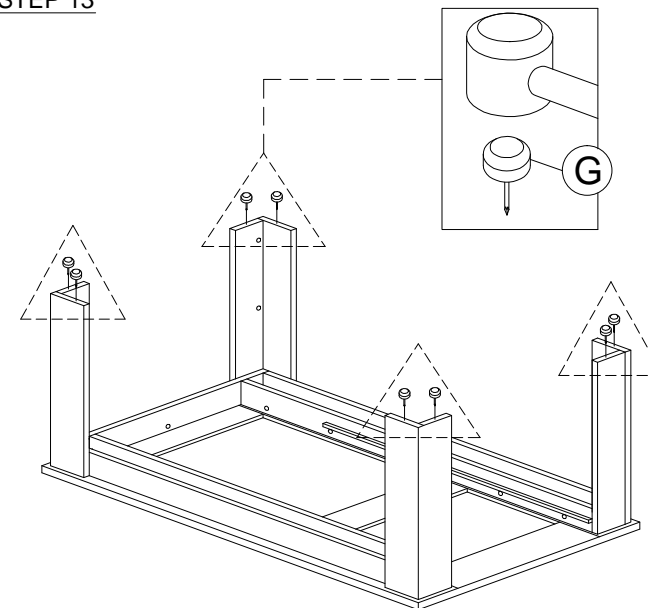
STEP 11



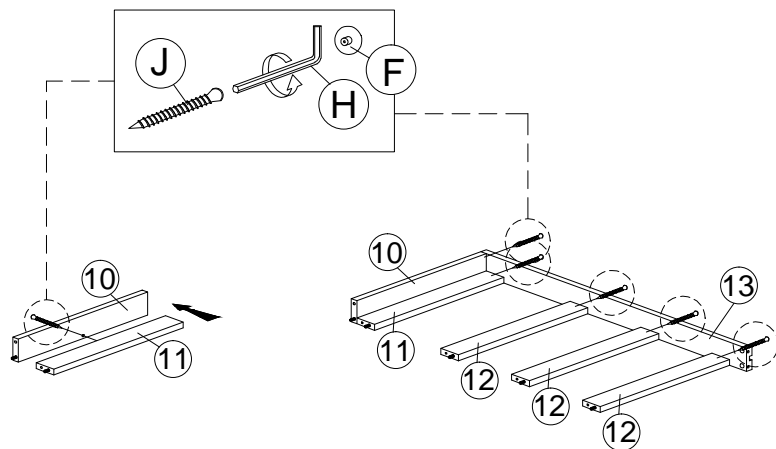
STEP 12



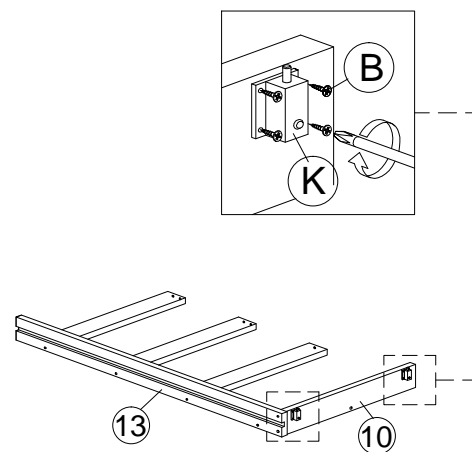
STEP 13



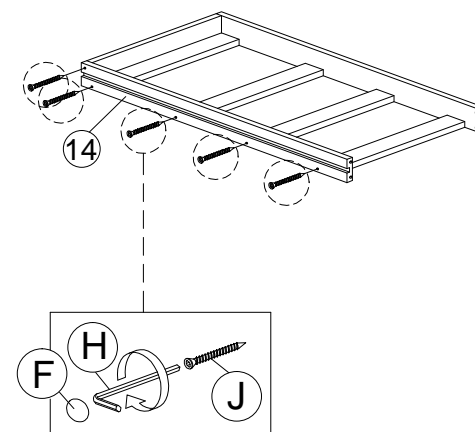
STEP 14

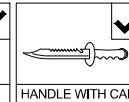
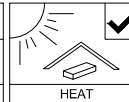
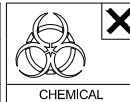


STEP 15



STEP 16

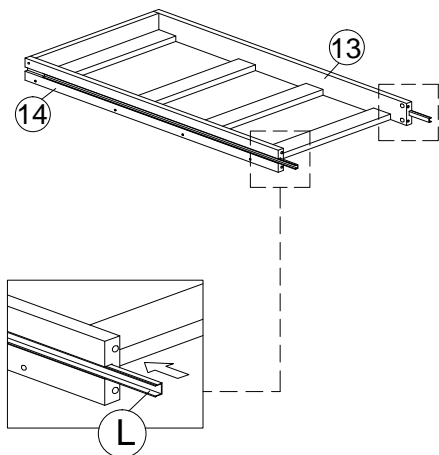




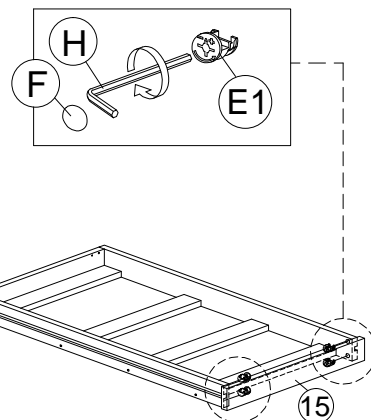
ASSEMBLY INSTRUCTION

MODEL : DS 013-ET-S5V - ELITE / EDDY EETTAFEL / TABLE / DINING TABLE 170/220

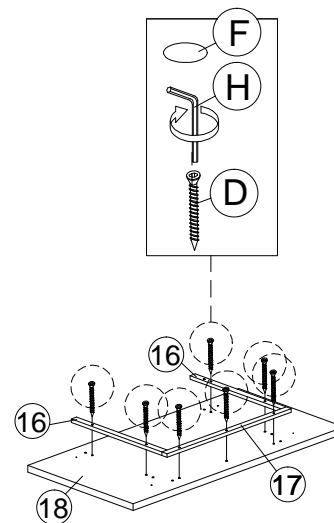
STEP 17



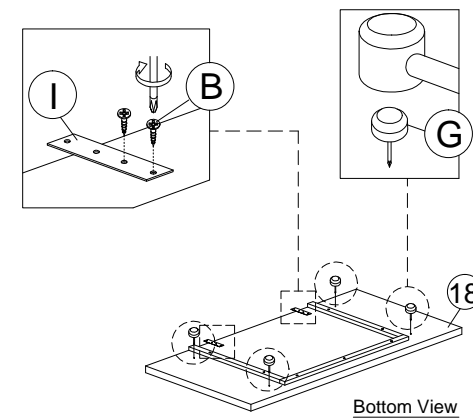
STEP 18



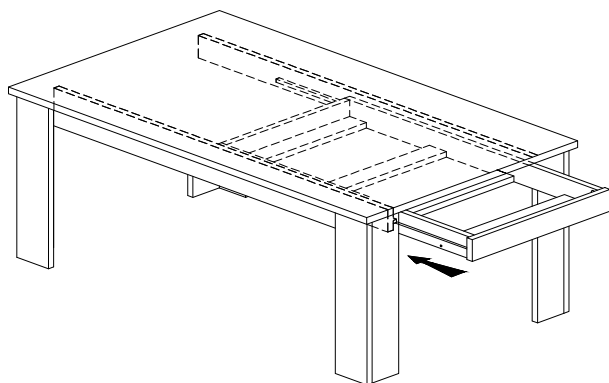
STEP 19



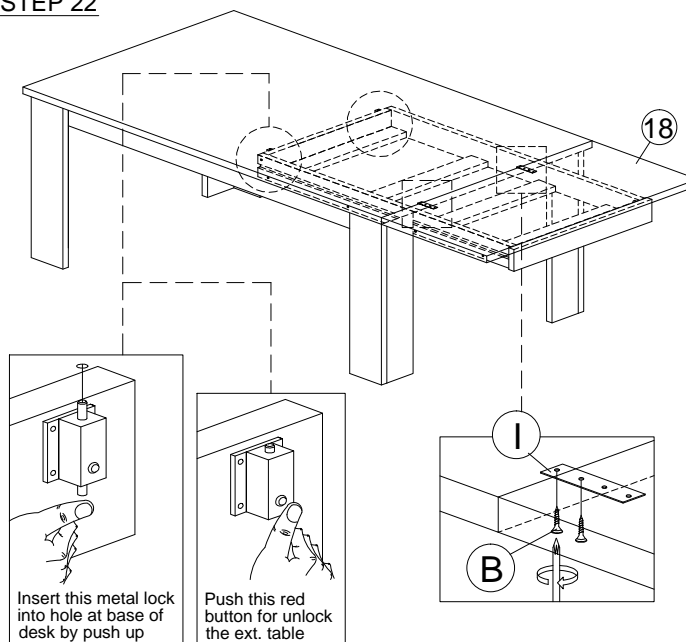
STEP 20



STEP 21



STEP 22



COMPLETED

