

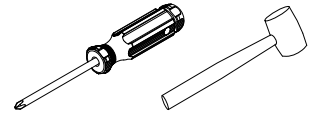
ASSEMBLY INSTRUCTIONS

6015

CAUTION :

- BEFORE ASSEMBLING, READ ALL THE INSTRUCTION.
- ENSURE ALL COMPONENTS ARE PLACE ONTO CARDBOARD AS PROTECTION.
- CLEAN SURFACE WITH A DRY OR DAMP SOFT CLOTH.
- DO NOT USE ABRASIVE CLEANERS, DETERGENT OR CHEMICAL.

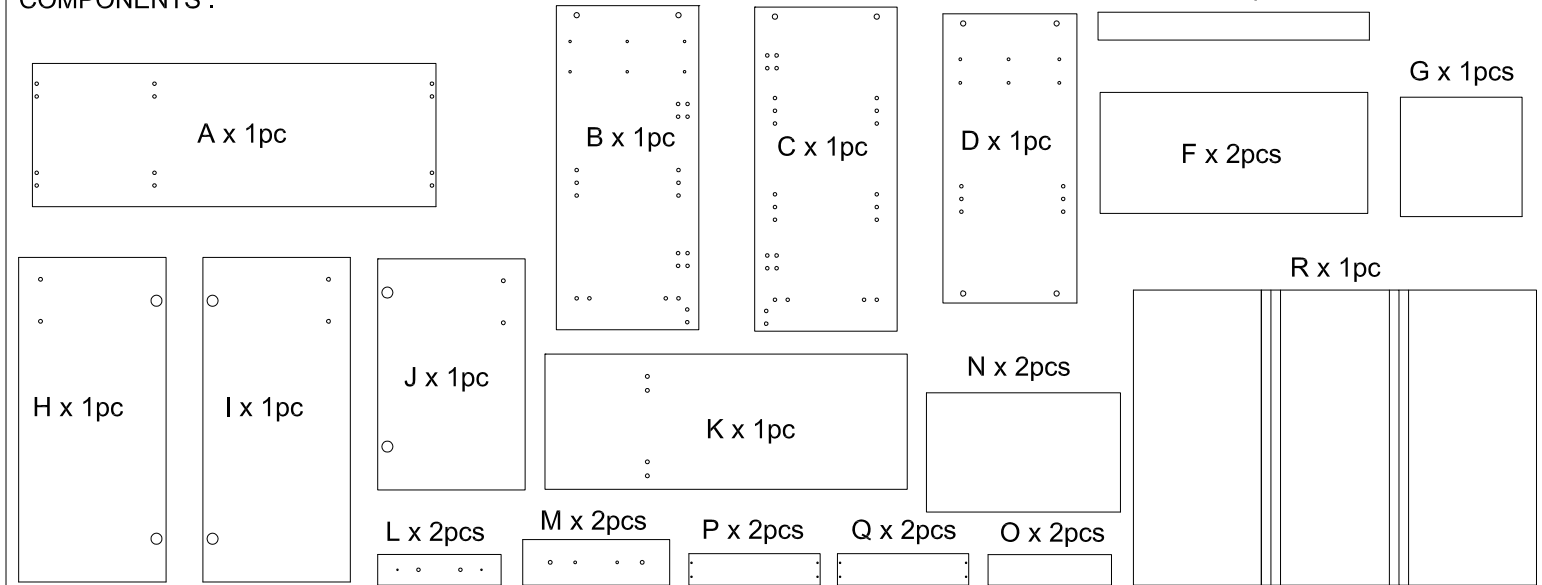
TOOLS REQUIRED :



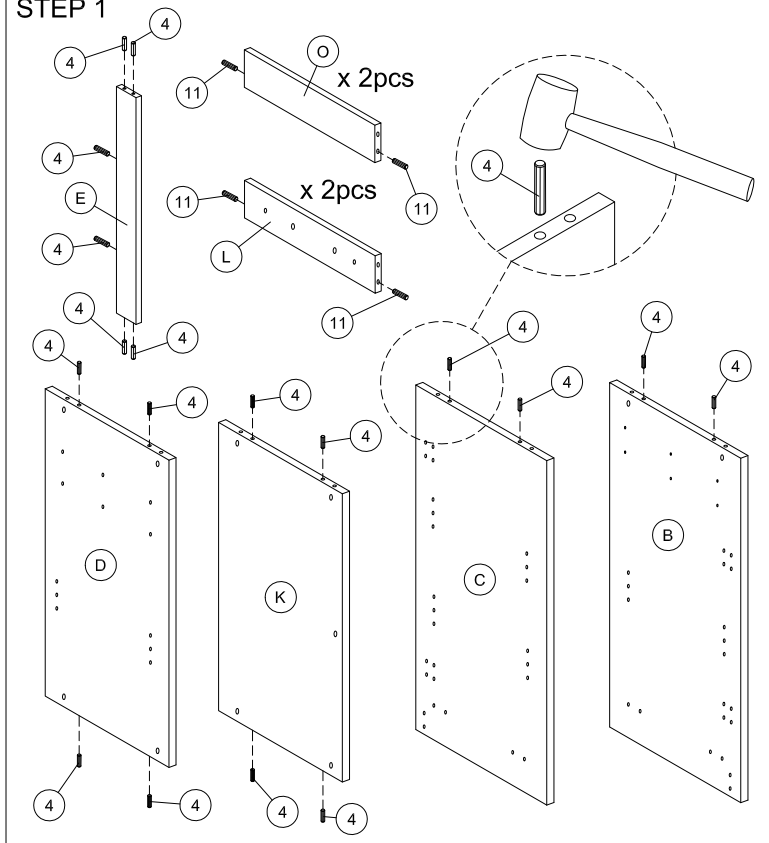
HARDWARE :

1	2	3	4	5	6	7	8
x 12 PCS	x 12 PCS	x 12 PCS	8 X 30mm x 18 PCS	INLAY x 4 SETS	HALF OVERLAY x 2 SETS	x 5 SETS	x 56 PCS
9	10	11	12	13	14		
x 12 PCS	CBS 4 X 38mm x 8 PCS	6 X 30mm x 8 PCS	PHMB 6 X 25mm x 4 PCS	x 2 SETS	CBS 3.5 X 16mm x 60 PCS		

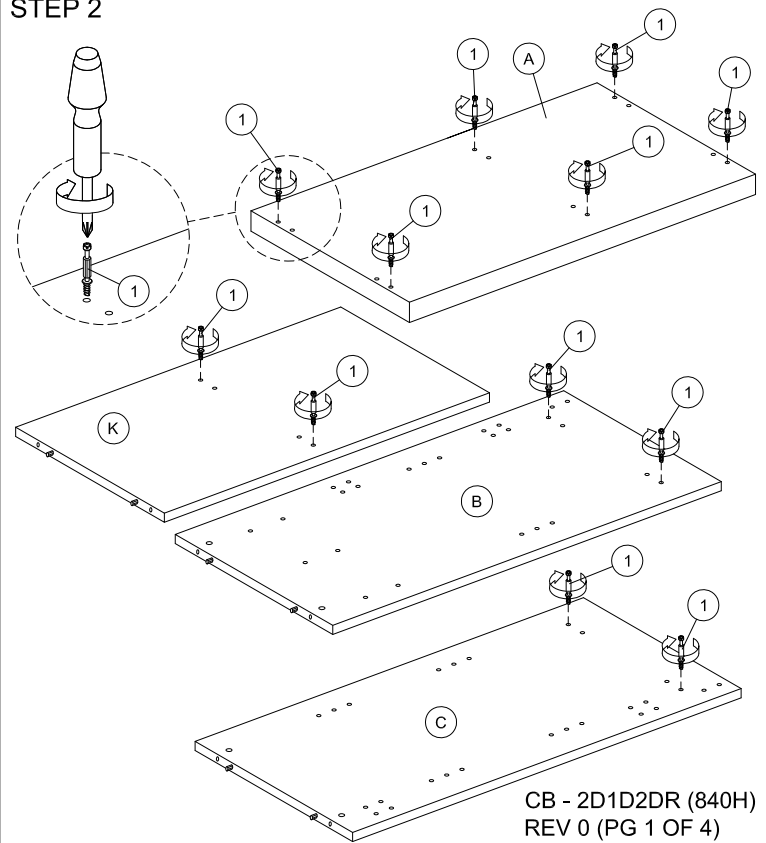
COMPONENTS :



STEP 1

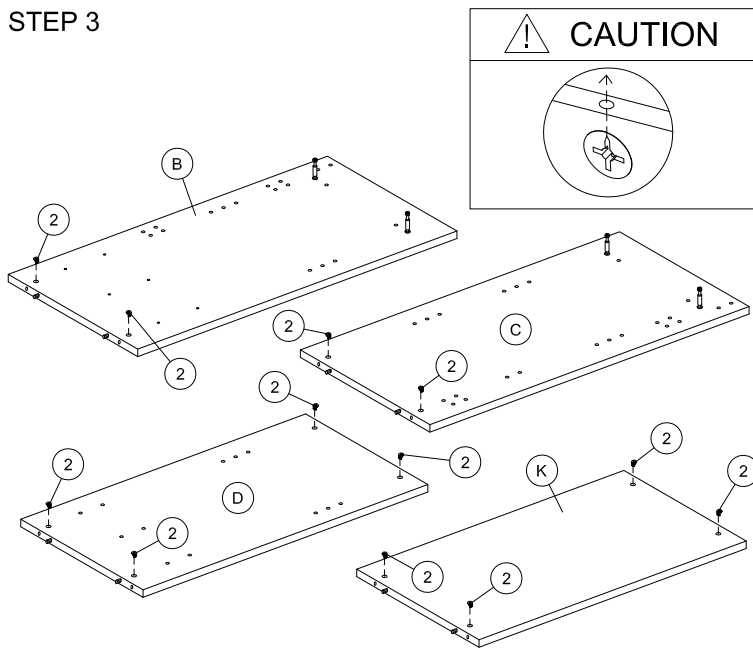


STEP 2

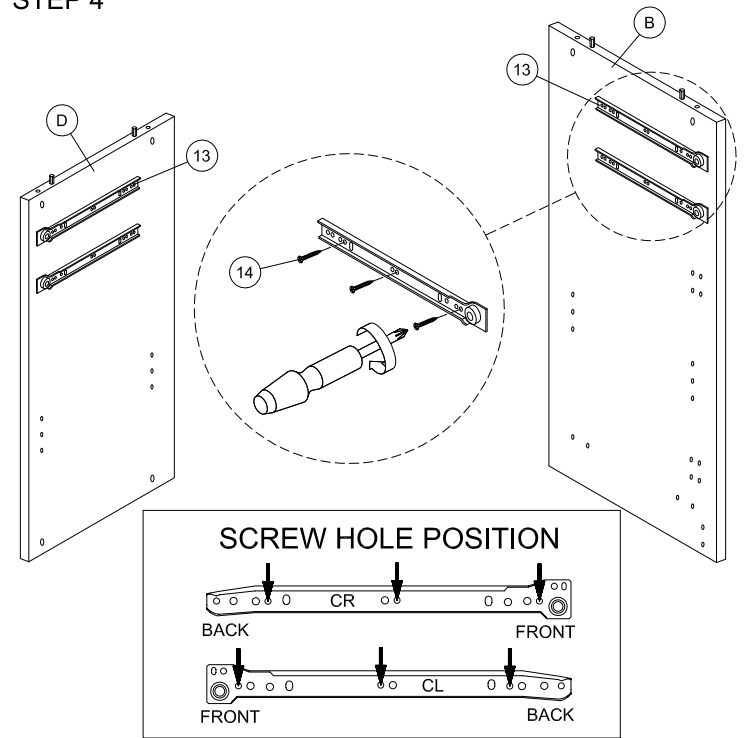


ASSEMBLY INSTRUCTIONS

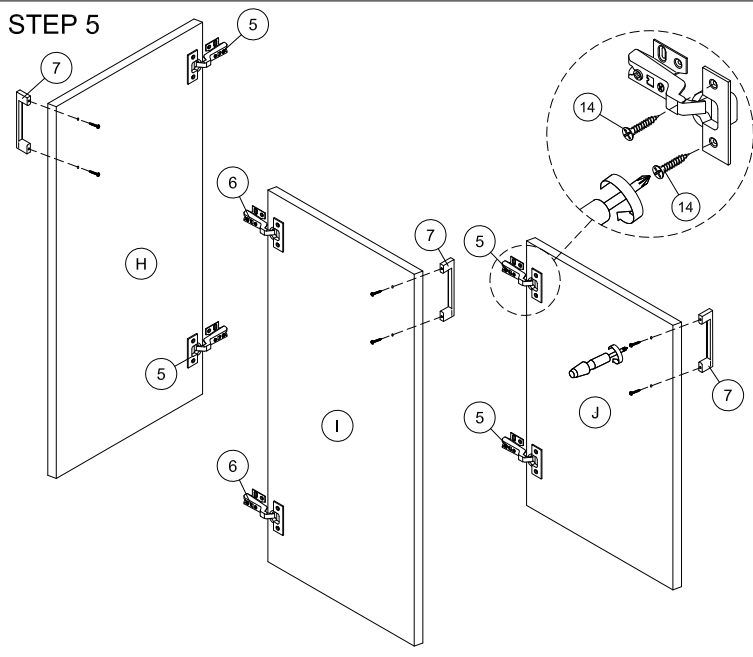
STEP 3



STEP 4

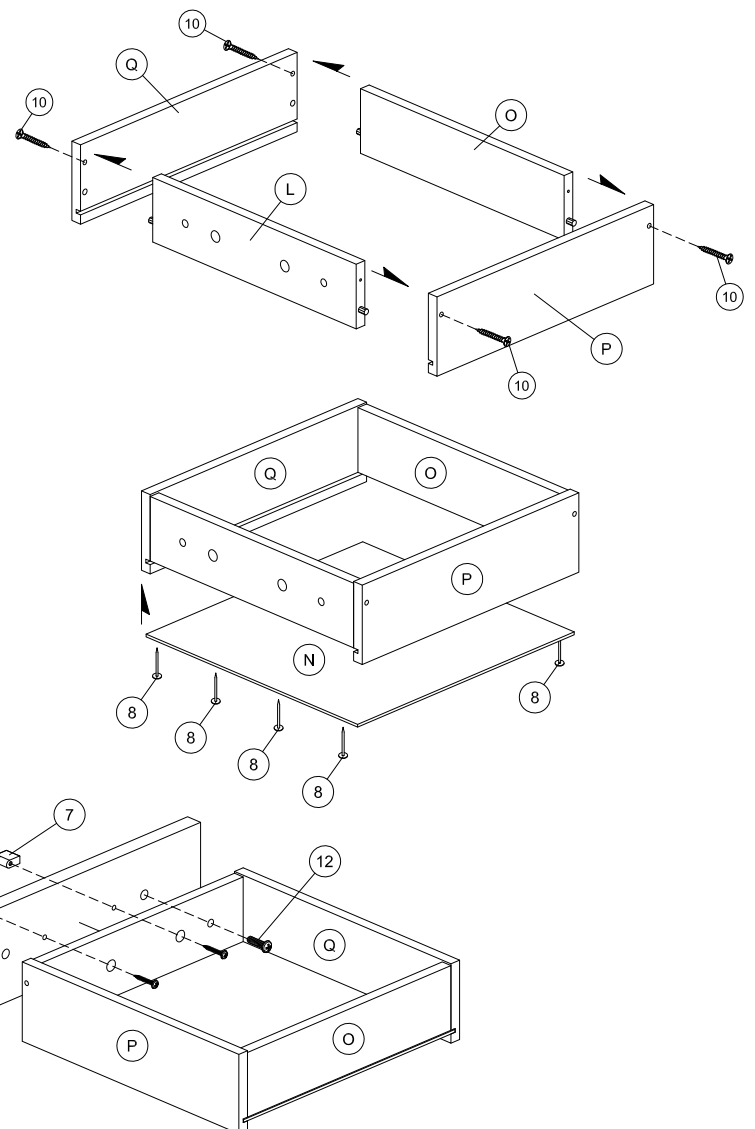


STEP 5



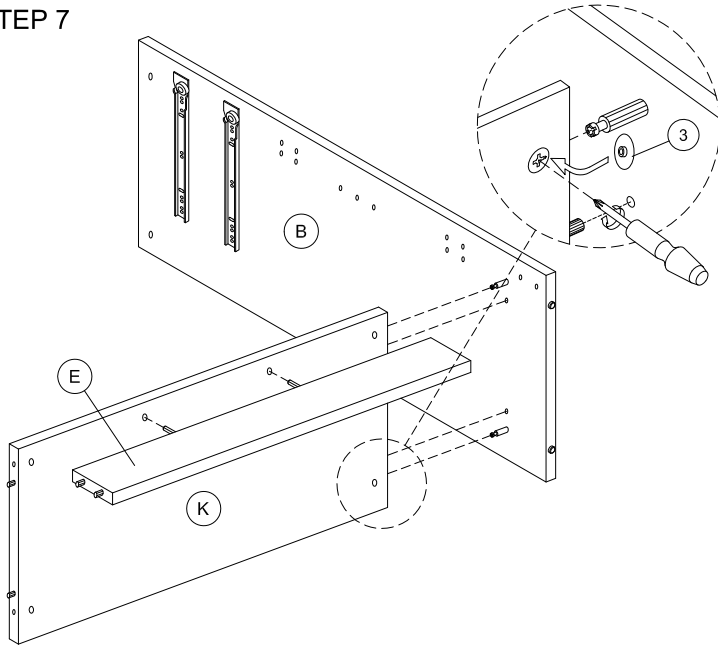
STEP 6

ASSEMBLY-DRAWER

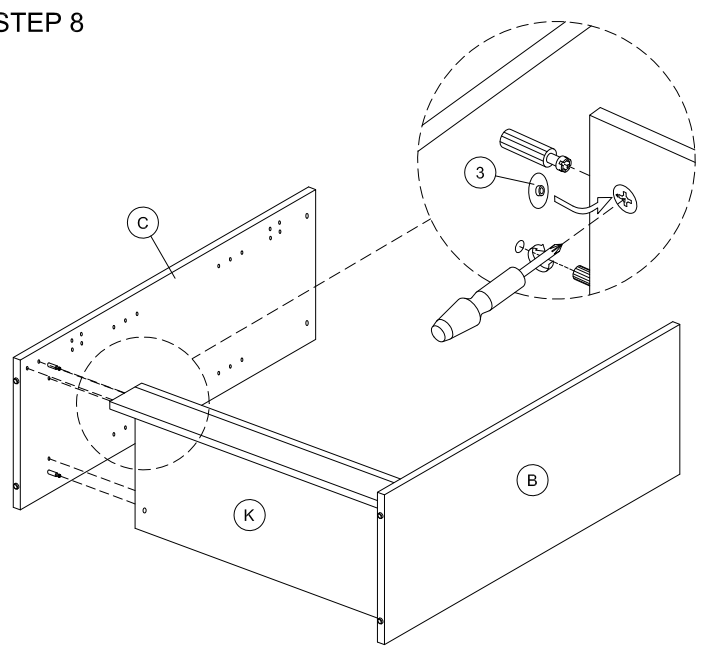


ASSEMBLY INSTRUCTIONS

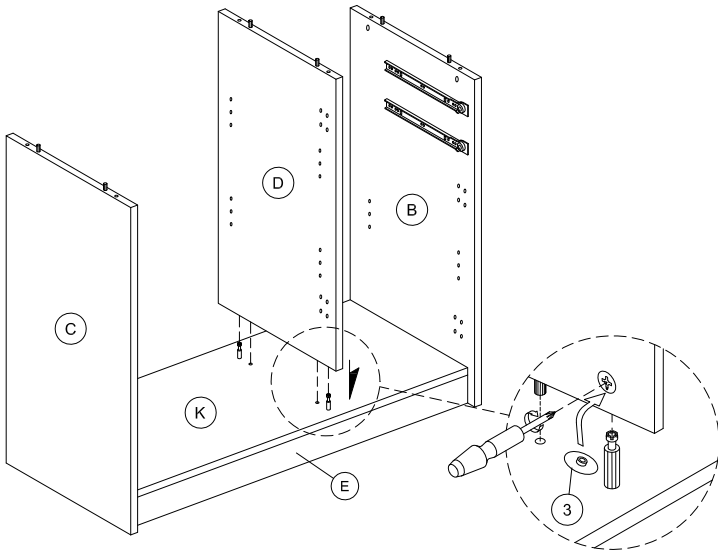
STEP 7



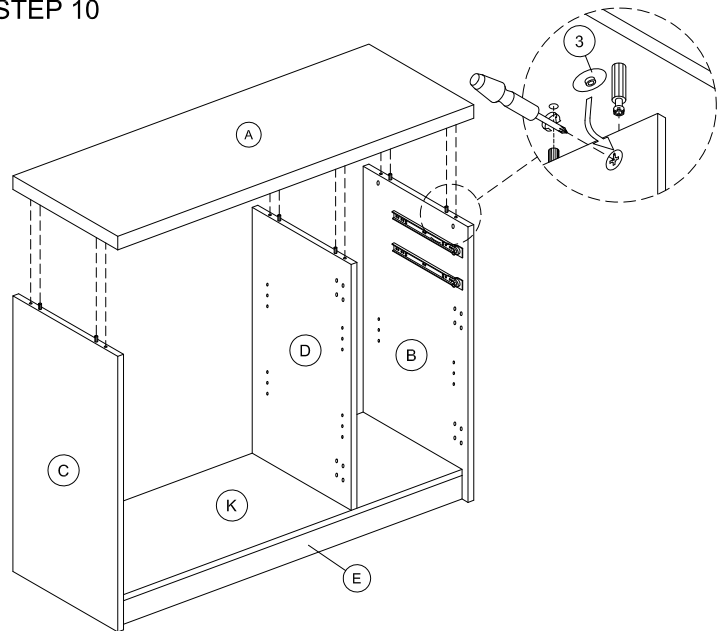
STEP 8



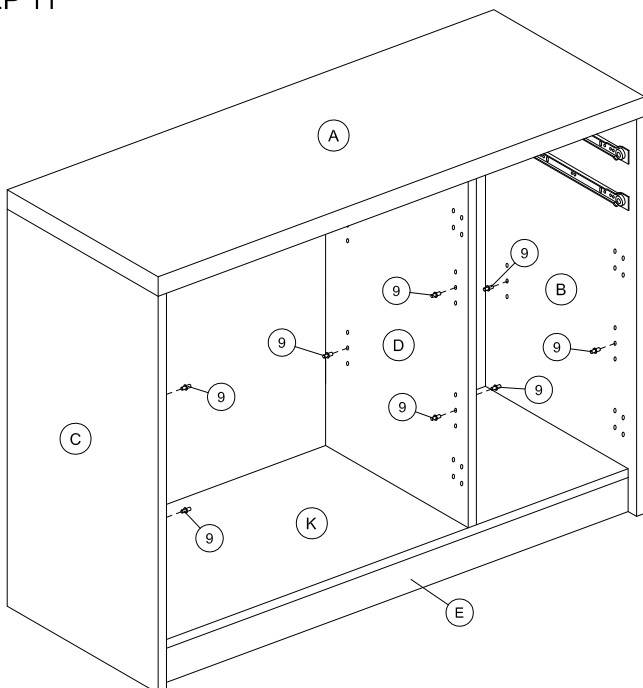
STEP 9



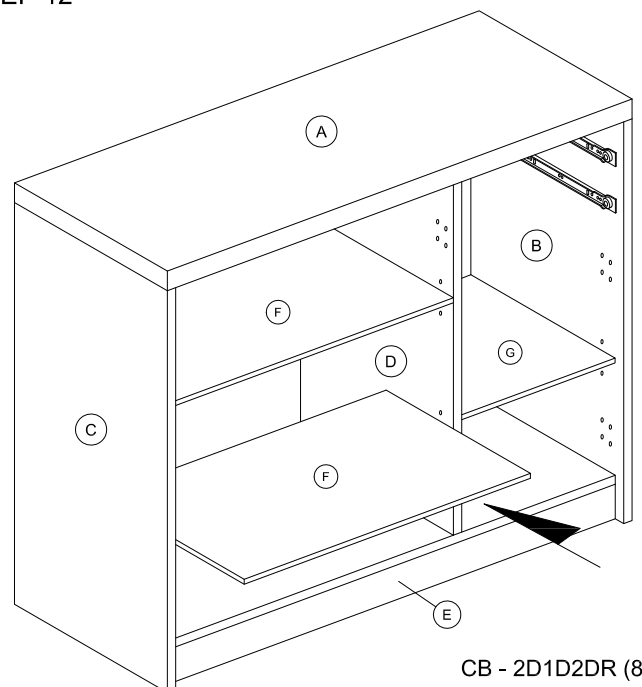
STEP 10



STEP 11

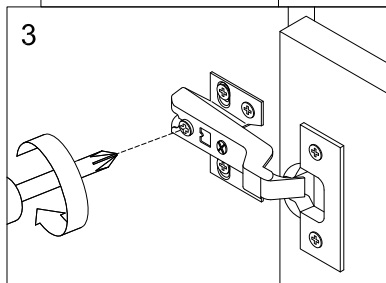
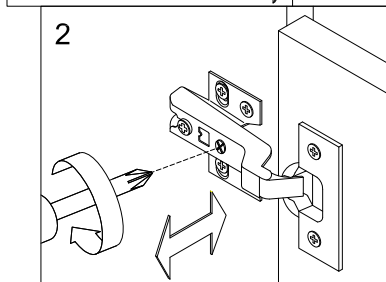
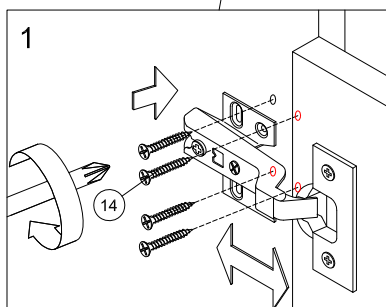
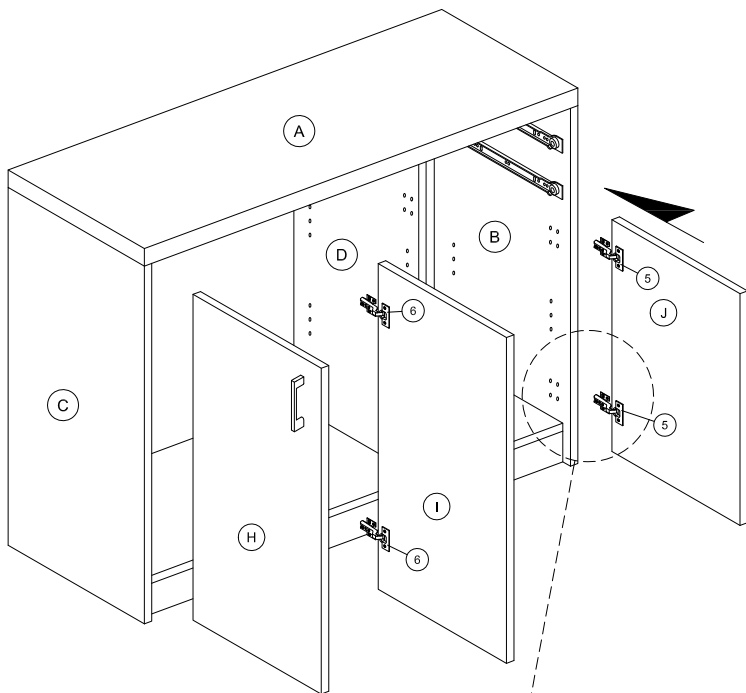


STEP 12

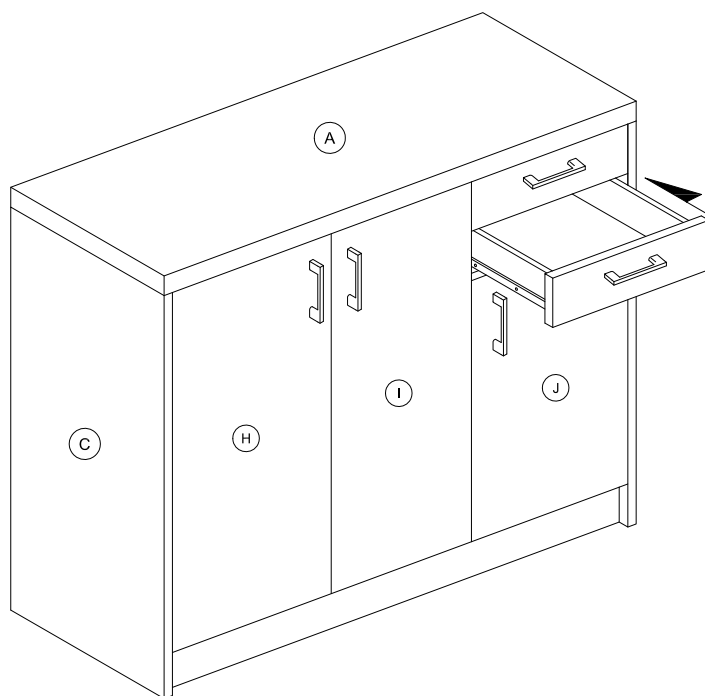


ASSEMBLY INSTRUCTIONS

STEP 13



STEP 14



STEP 15

