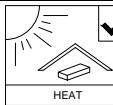
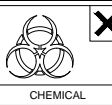
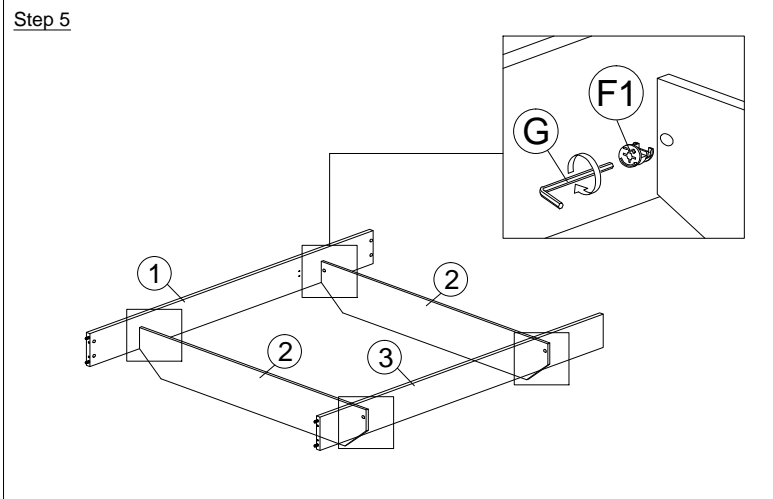
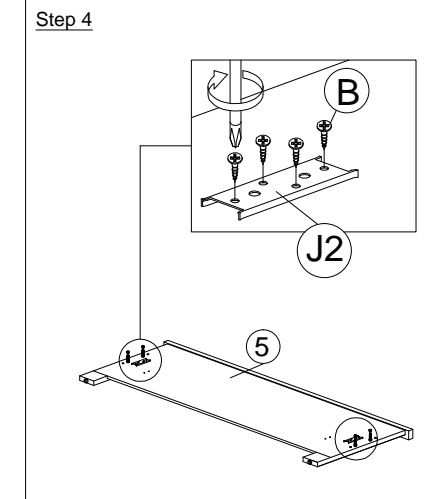
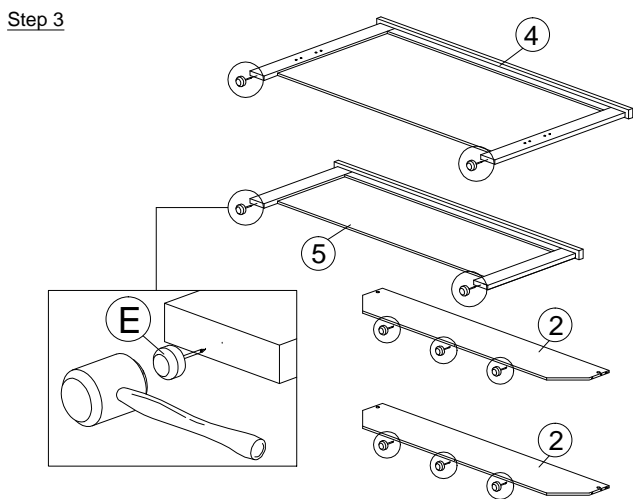
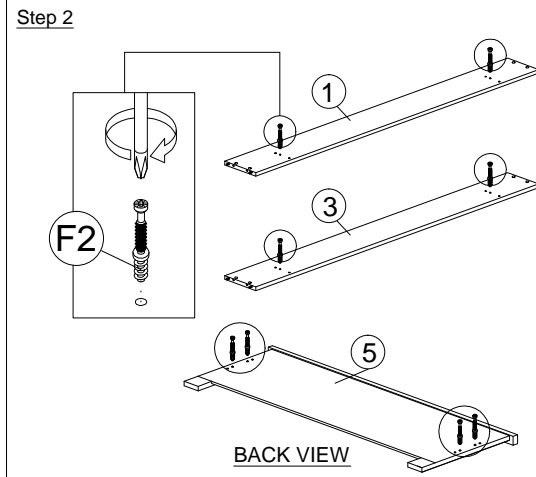
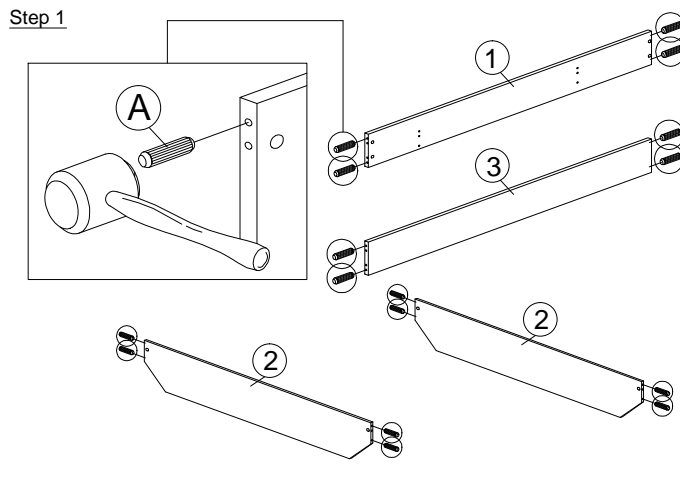
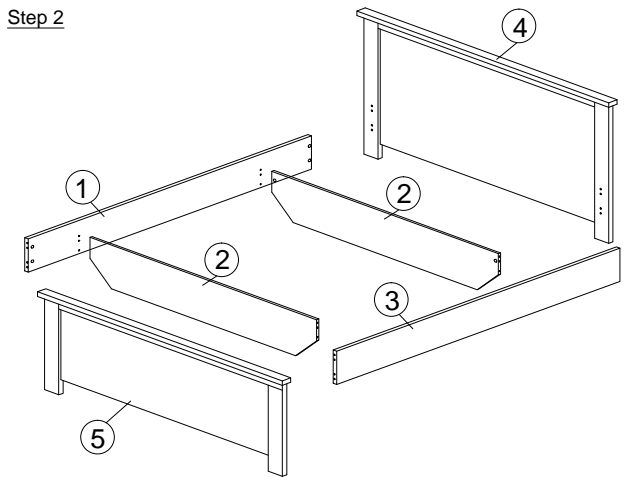


ASSEMBLY INSTRUCTION

MODEL : BED 27-5579C-NEW - S5V - ELLA BED - LIT 140 / BED 140

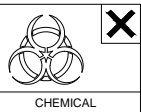


| | | | | | | | | | | | | |
|-----------------|----------------------------|--------------------------|------------------------|-------------------|---------------------|---------------------------------|------------------|------------|------------------|--|--------------------------------|---------------------|
| HARDWARE | A | B | C | D | E | F | G | H | I | J | K | L |
| | PLASTIC DOWEL ØX25 1X16 | CB SCREW M3.5X16 1X38 | JCBC BOLT M6X60 1X4 | BARREL NUT 1X4 | PLASTIC PIN 1X10 | F1 F2 MINIFIX 5654 8 SETS | ALLEN KEY 1X1 | CAP 1X4 | L-BRACKET 1X8 | J1 J2 F3 703 SCREW BED HINGES 2 SETS | RECTANGULAR BED BRACKET 1X4 | SCREW M8X12 1X16 |

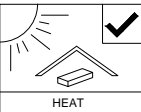




SOFT, DRY CLOTH



CHEMICAL



HEAT



KEEP DRY



HANDLE WITH CARE

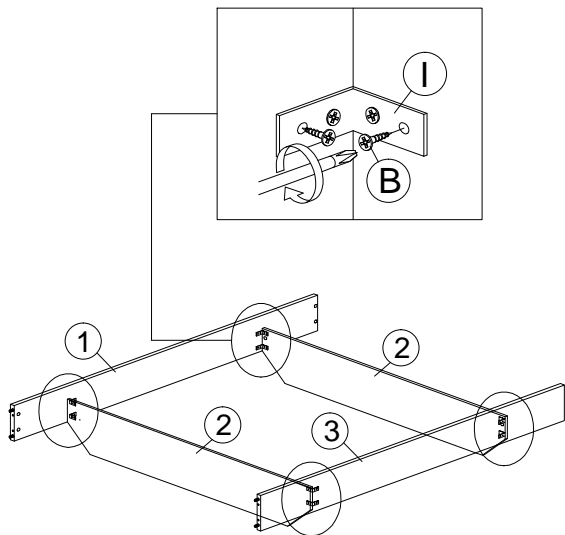


DO NOT USE KNIFE

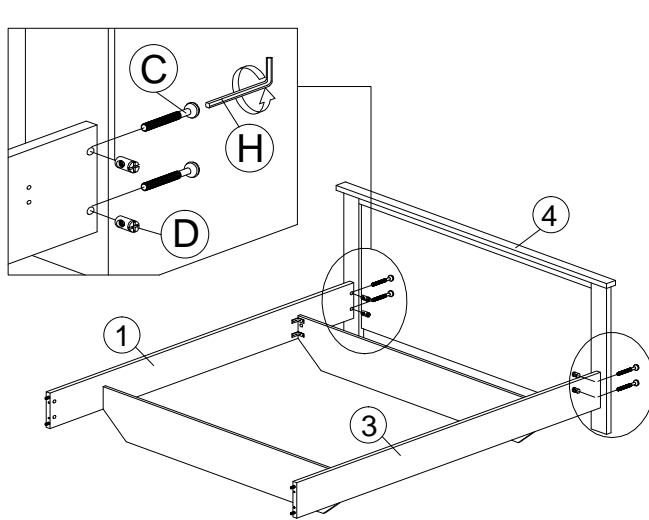
ASSEMBLY INSTRUCTION

MODEL : BED 27-5579C-NEW - S5V - ELLA BED - LIT 140 / BED 140

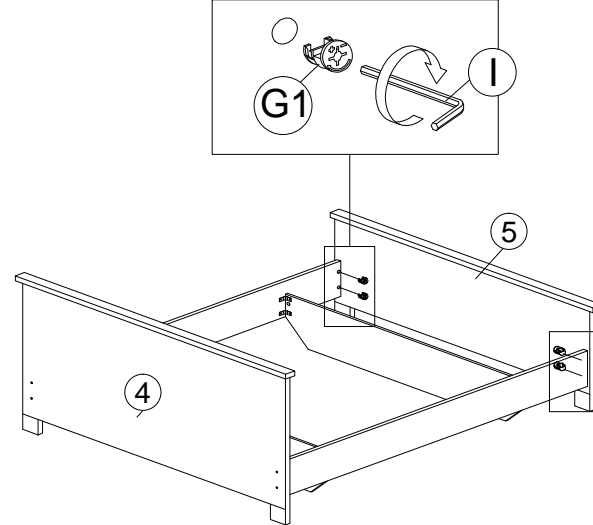
Step 6



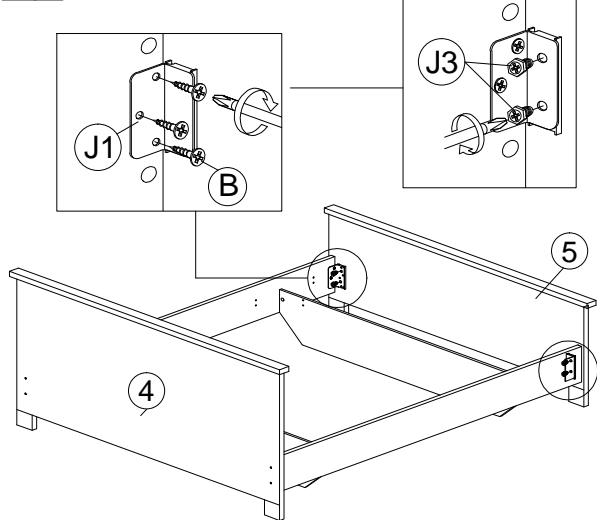
Step 7



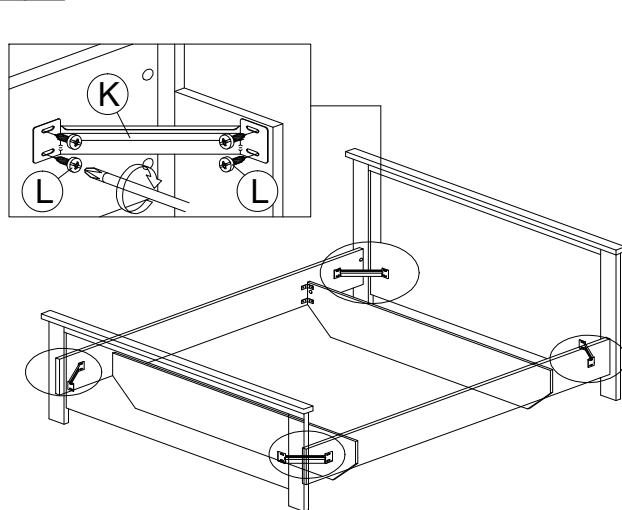
Step 8



Step 9



Step 10



Completed

