

ASSEMBLING INSTRUCTIONS

6405

CAUTION : THIS ITEM IS MADE OF LAMINATED PARTICLEBOARD AND MEDIUM DENSITY FIBREBOARD. TO BE ASSEMBLED ON A DRY, SOFT, SMOOTH AND CLEAN SURFACE. DO NOT USE DETERGENT OR CHEMICAL. AVOID DAMP AND DIRECT SUNLIGHT.

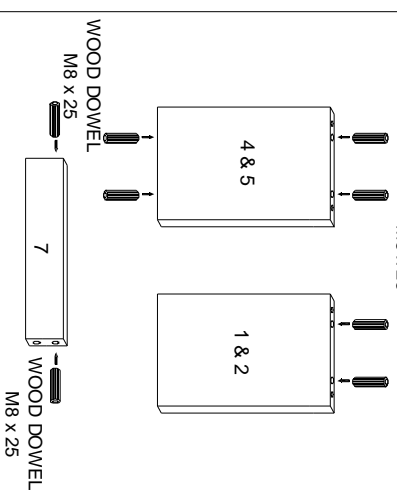
STEP 1	CHECK YOUR HARDWARE	6507-1A
	SCREW #9 X 1 1/2"	18 PCS
	METAL DOOR HINGES 5/8"	8 PCS
	WOOD DOWEL M8 X 25	18 PCS
	SCREW M3.5 X 14	24 PCS
	PLASTIC LEG STUD	5 PCS
	ADJUSTABLE SHELF STUD	8 PCS
	PAN HEAD SCREW #6 X 22	4 PCS
	HANDLE	2 PCS
	CORNER BLOCK	4 PCS
	SCREW M3 X 20	8 PCS
	SCREW CAP	18 PCS

TOOLS REQUIRED :

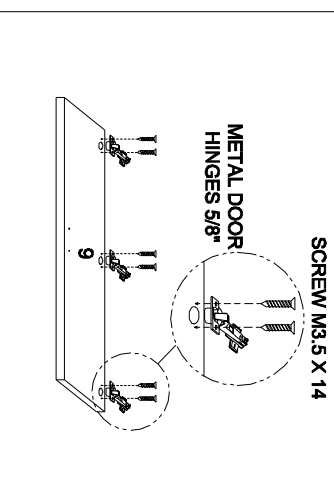
SCREW DRIVER

HAMMER

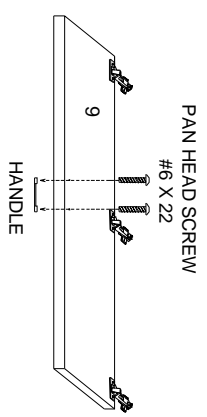
STEP 2 WOOD DOWEL M8 X 25



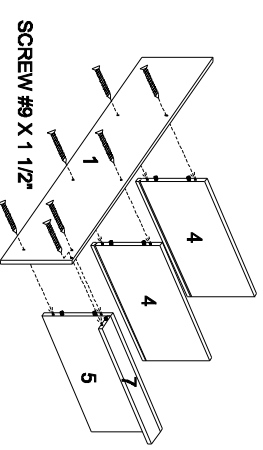
STEP 3



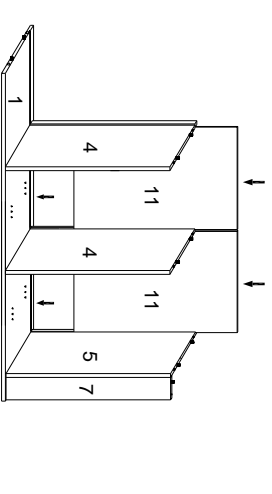
STEP 4



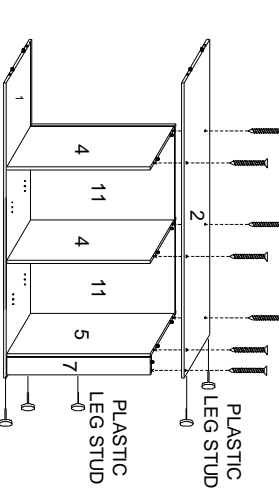
STEP 5



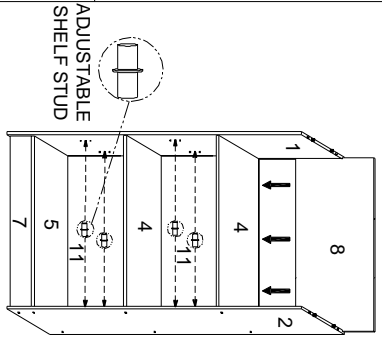
STEP 6



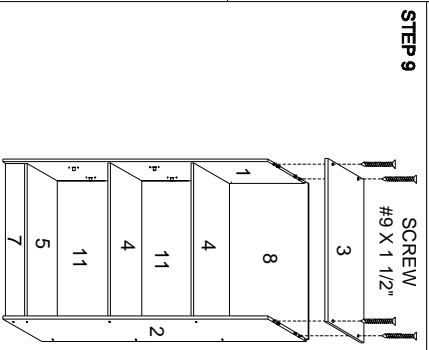
STEP 7



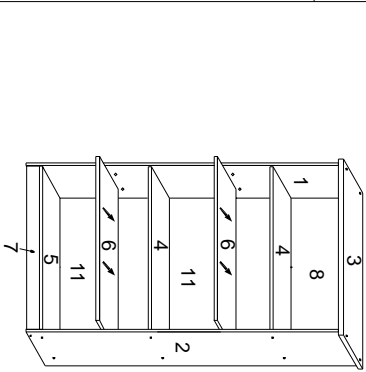
STEP 8



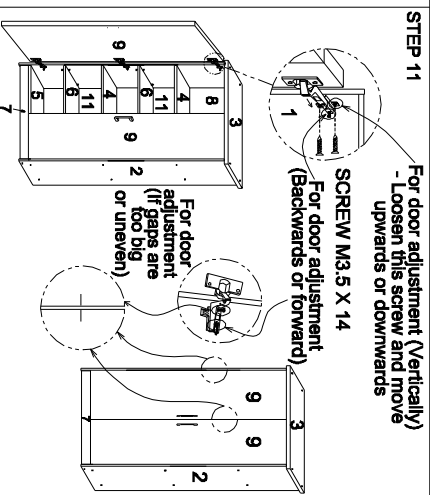
STEP 9



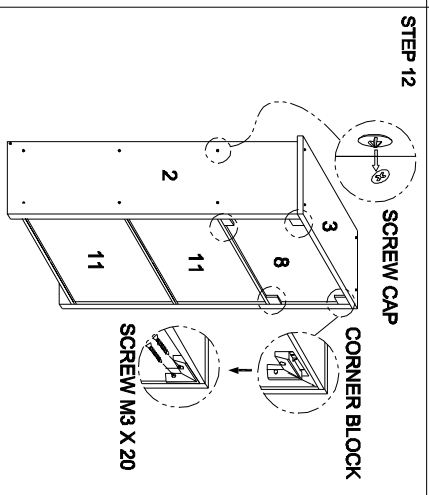
STEP 10



STEP 11



STEP 12



STEP 13

