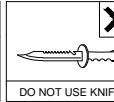
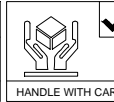
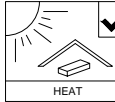
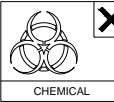
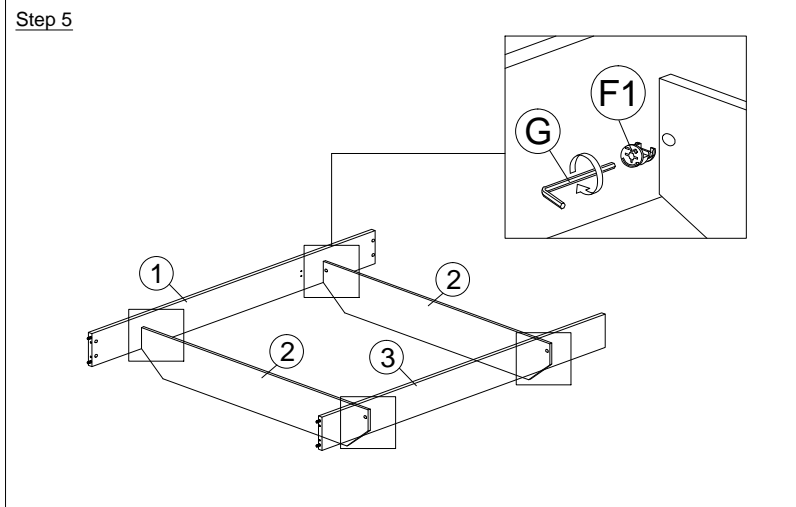
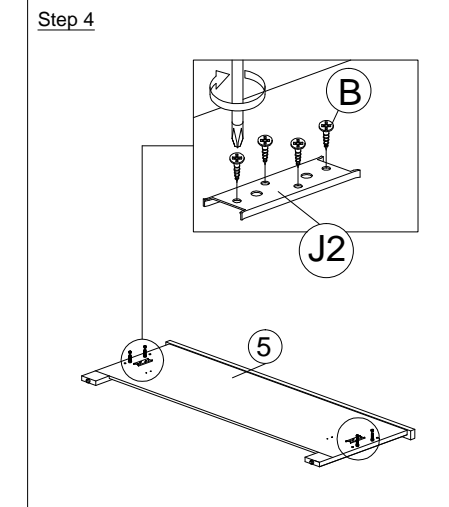
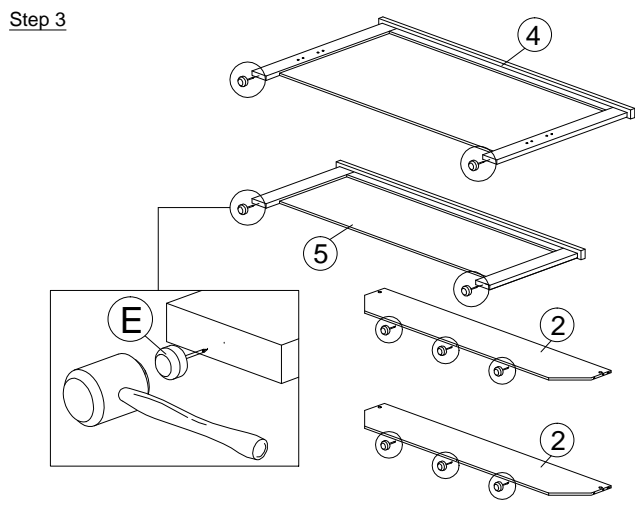
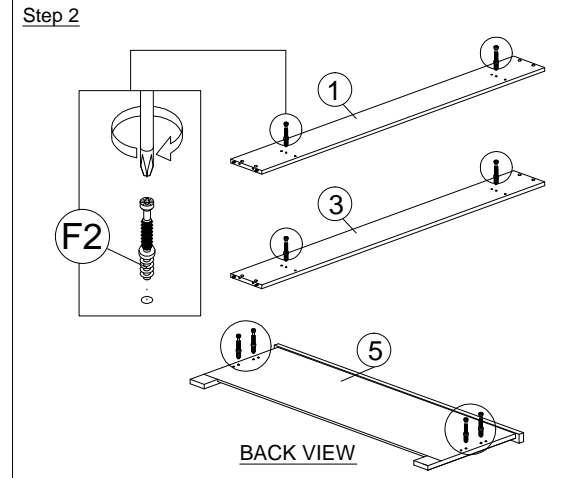
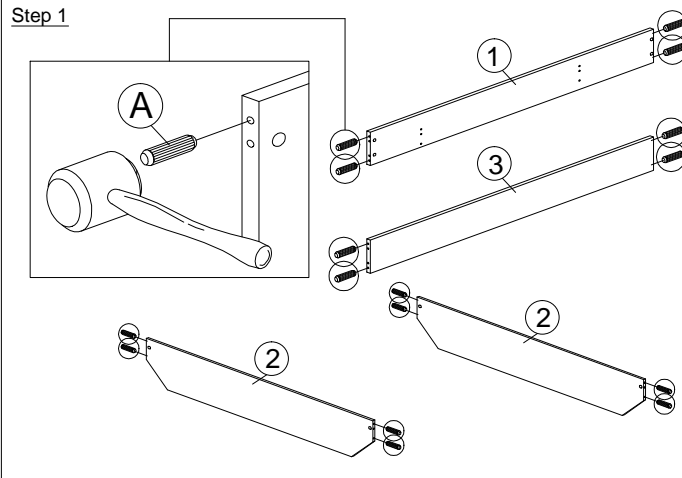
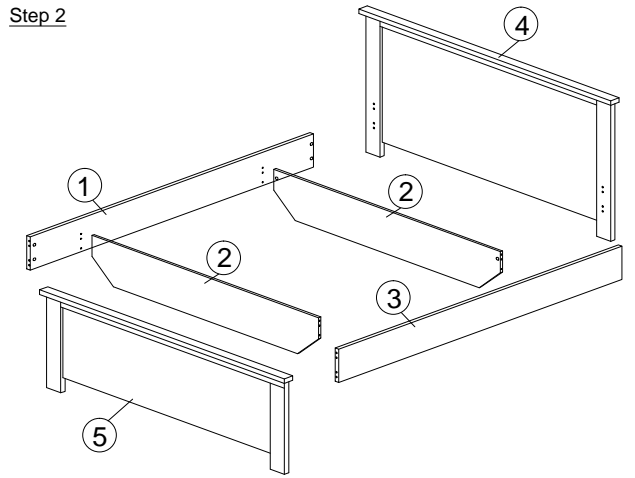


ASSEMBLY INSTRUCTION

MODEL : BED 27-6379C-NEW - S5V - ELLA BED - LIT 160 / BED 160

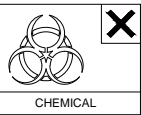


HARDWARE	A	B	C	D	E	F	G	H	I	J	K	L
	PLASTIC DOWEL ØX25 1X16	CB SCREW M3.5X16 1X38	JCBC BOLT M6X60 1X4	BARREL NUT 1X4	PLASTIC PIN 1X10	F1 F2 MINIFIX 5654 8 SETS	ALLEN KEY 1X1	CAP 1X4	L-BRACKET 1X8	J1 J2 703 SCREW BED HINGES 2 SETS	RECTANGULAR BED BRACKET 1X4	SCREW M8X12 1X16

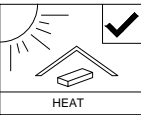




SOFT, DRY CLOTH



CHEMICAL



HEAT



KEEP DRY



HANDLE WITH CARE

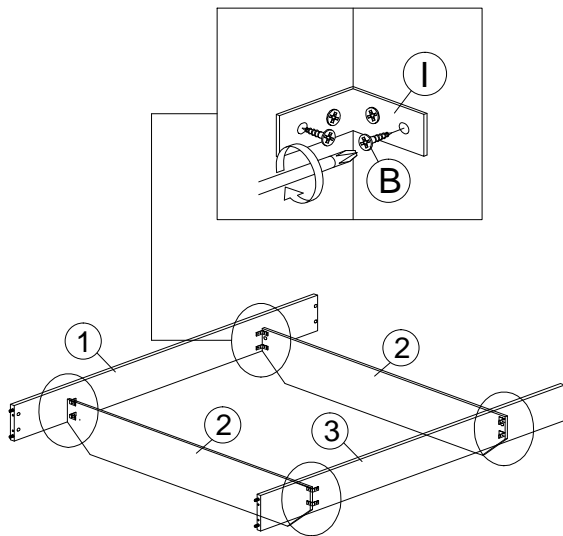


DO NOT USE KNIFE

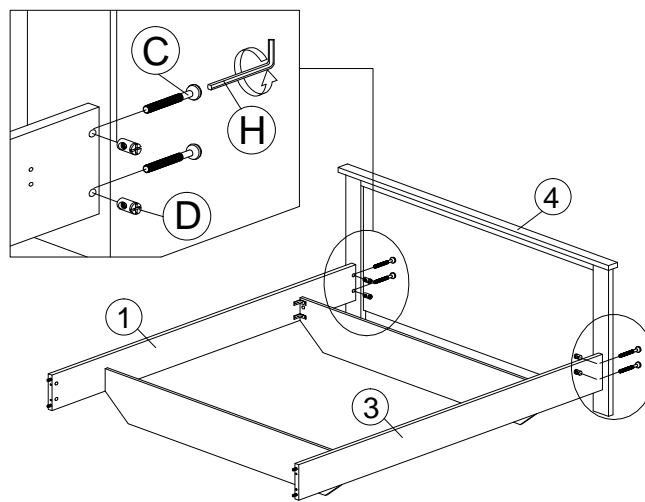
ASSEMBLY INSTRUCTION

MODEL : BED 27-6379C-NEW - S5V - ELLA BED - LIT 160 / BED 160

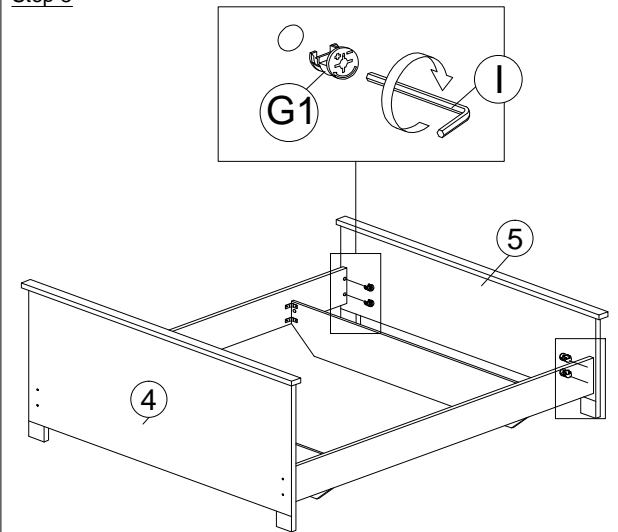
Step 6



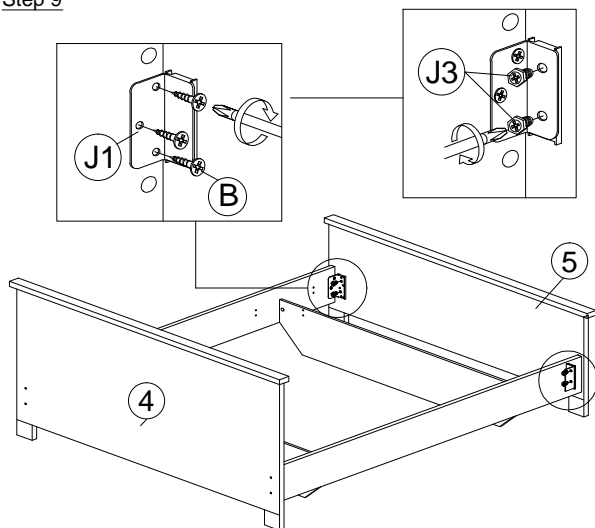
Step 7



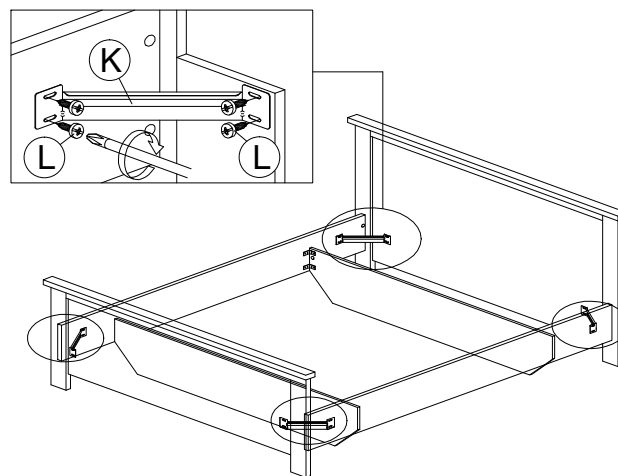
Step 8



Step 9



Step 10



Completed

