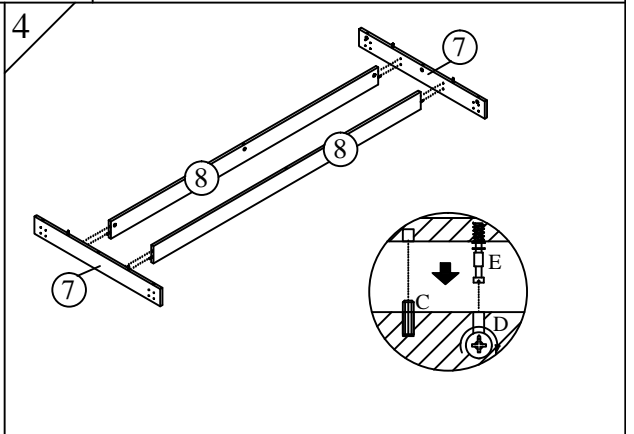
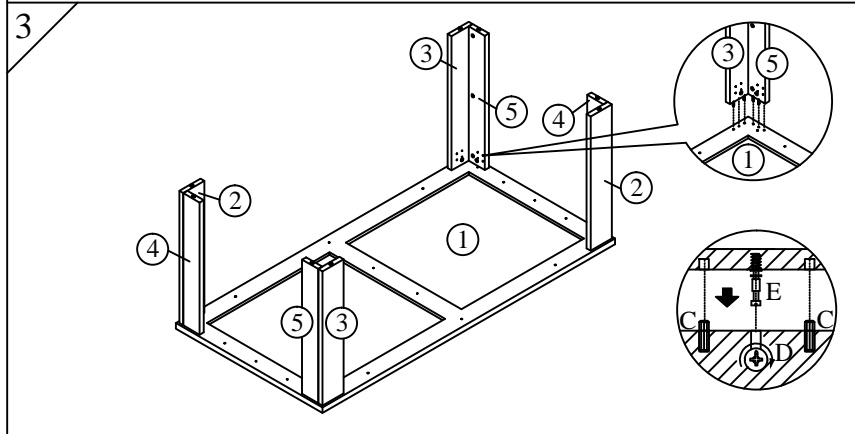
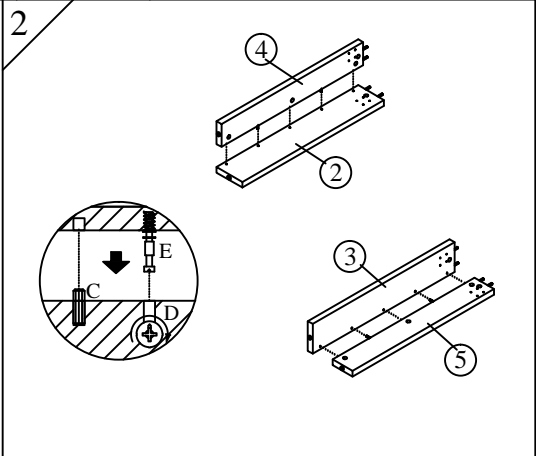
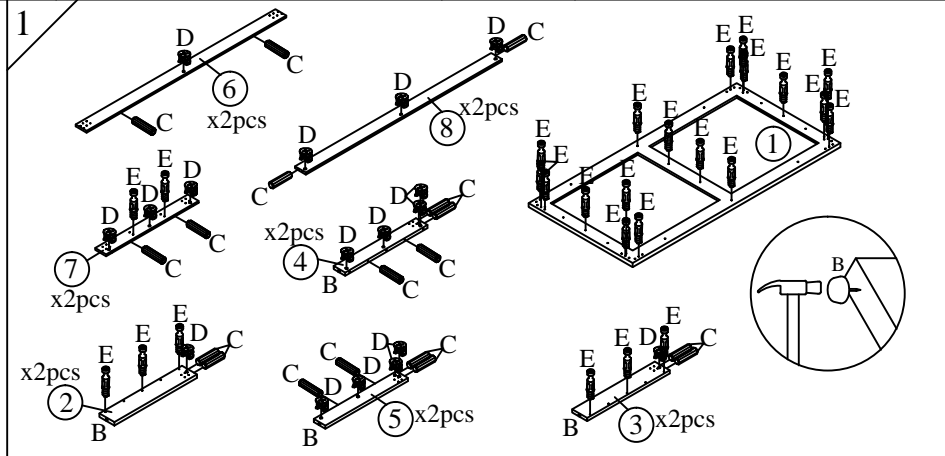
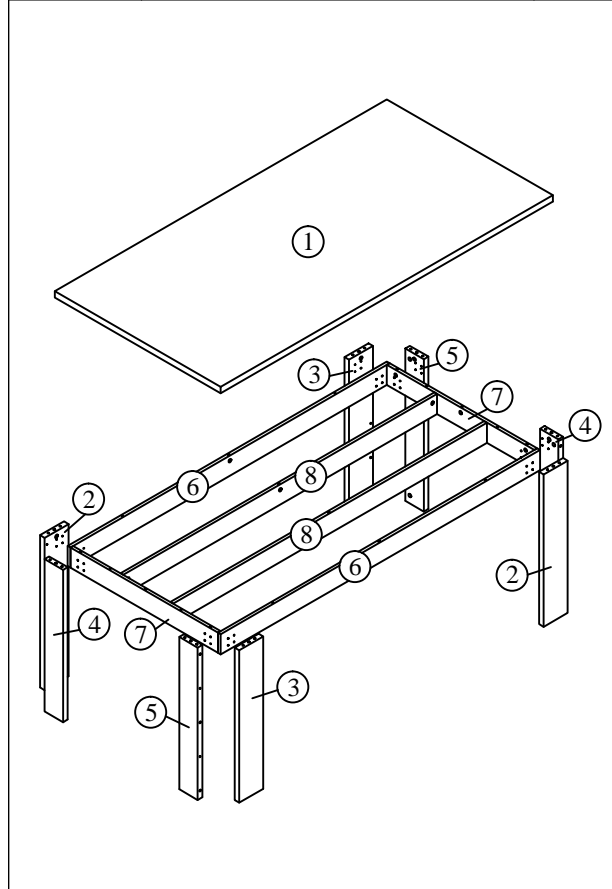


Model	DN DT 660 103	Issue Date	13 - 11 - 2017	Draw By	SITI NURHIDAYU BINTI ABDUL JABAR	Approved By / Date	
Form No	P13-RD-05-Rev01	Revision	DT 1.0	Checked By	KALEIKH	Sheet	01 / 01
Description	Assembly Instructions						



A	CSK SCREW M4 x 30 mm	32
B	PVC NAIL 5/8"	8
C	WOOD DOWEL M6 x 25 mm	36
D	CAM NUT 15 mm	34
E	CAM BOLT	34

